


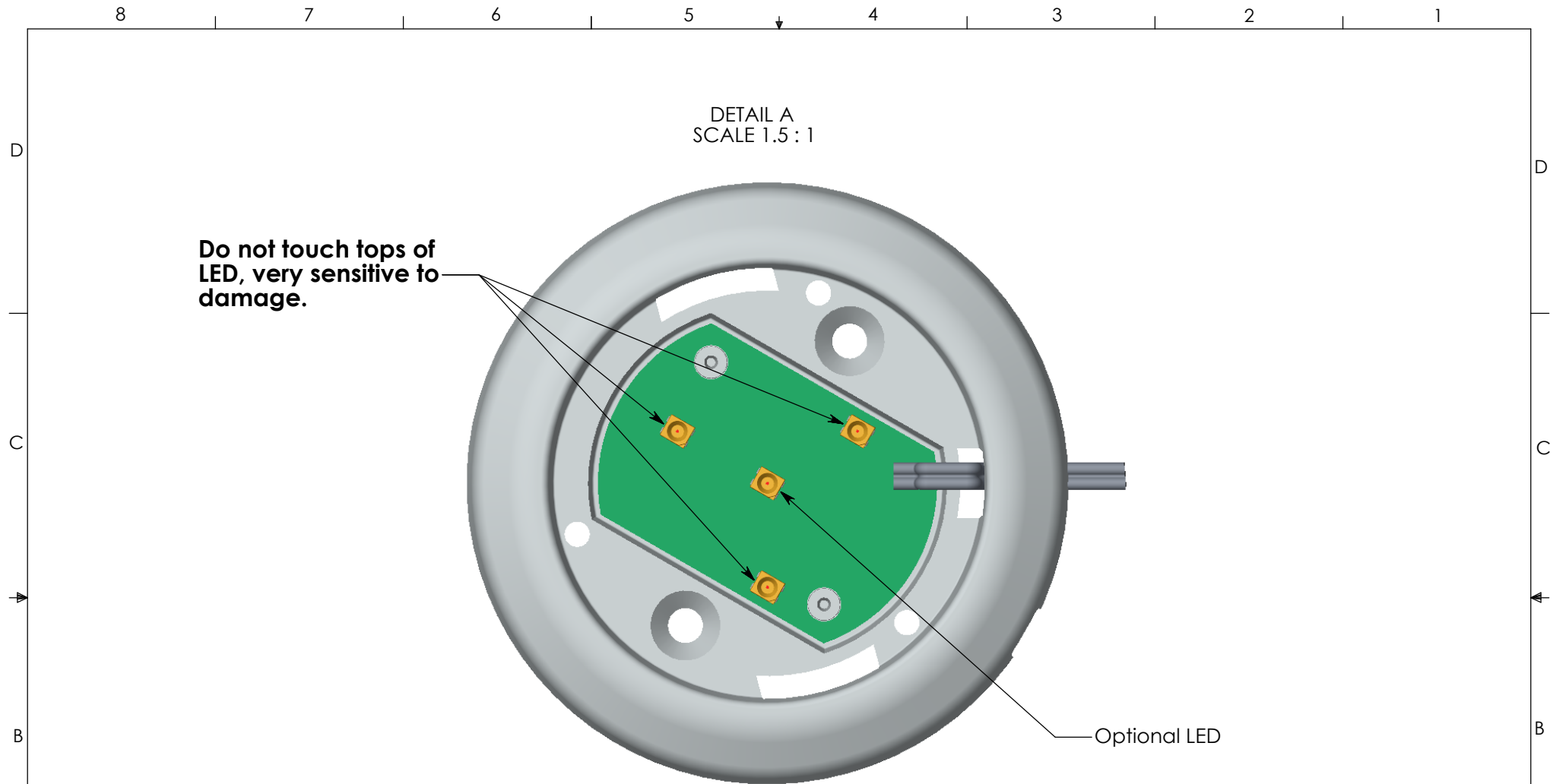
Wire Specs
 24AWG 2C (Optional 3C)
 UL2468
 PVC Jacket
 80C 300V
 Wire ends pre-tinned

Electrical Connections
 Black w/White Strip - Positive
 Black Only - Ground

CONFIDENTIAL

THE INFORMATION CONTAINED IN THIS DRAWING IS THE SOLE PROPERTY OF Dragonfish Technologies LLC. ANY REPRODUCTION IN PART OR WHOLE WITHOUT THE WRITTEN PERMISSION OF Dragonfish Technologies LLC IS PROHIBITED.

ITEM NO.	PART OR IDENTIFYING NO.	NOMENCLATURE OR DESCRIPTION	MATERIAL SPECIFICATION	QTY REQD
PARTS LIST				
UNLESS OTHERWISE SPECIFIED DIMENSIONS ARE IN INCHES		CAD GENERATED DRAWING BY:		 2.75" Silho-X Light Plastic Trim Ring Version
TOLERANCES ARE:		DRAGONFISH TECHNOLOGIES LLC APPROVALS: _____ DATE: _____ DRAWN: MBP 10/25/2007 CHECKED: _____ RESP ENG: _____ MFG ENG: _____ QUAL ENG: _____		
DECIMALS .XX ±0.005 .XXX ±0.003 ANGLES X° ±0.5° X.X° ±0.1°				
MATERIAL NA				
FINISH --		SIZE A DWG. NO. E13-xx10-1 SCALE 1 CAD FILE: _____ SHEET 1 OF 2		REV. 0
DO NOT SCALE DRAWING				




Do not touch tops of LED, very sensitive to damage.

Optional LED

DETAIL A
SCALE 1.5 : 1

CONFIDENTIAL

THE INFORMATION CONTAINED IN THIS DRAWING IS THE SOLE PROPERTY OF Dragonfish Technologies LLC. ANY REPRODUCTION IN PART OR WHOLE WITHOUT THE WRITTEN PERMISSION OF Dragonfish Technologies LLC IS PROHIBITED.

ITEM NO.	PART OR IDENTIFYING NO.	NOMENCLATURE OR DESCRIPTION	MATERIAL SPECIFICATION	QTY REQD
PARTS LIST				
UNLESS OTHERWISE SPECIFIED DIMENSIONS ARE IN INCHES TOLERANCES ARE:		CAD GENERATED DRAWING BY: DRAGONFISH TECHNOLOGIES LLC		 2.75" Silho-X Light Plastic Trim Ring Version
DECIMALS .XX ±0.005 .XXX ±0.003		APPROVALS DRAWN MBP		
ANGLES X° ±0.5° X.X° ±0.1°		DATE 10/25/2007		
MATERIAL NA		CHECKED		
FINISH --		RESP ENG		
DO NOT SCALE DRAWING		MFG ENG		SIZE A
		QUAL ENG		DWG. NO. E13-xx10-1
		SCALE 1		REV. 0
		CAD FILE:		SHEET 2 OF 2