

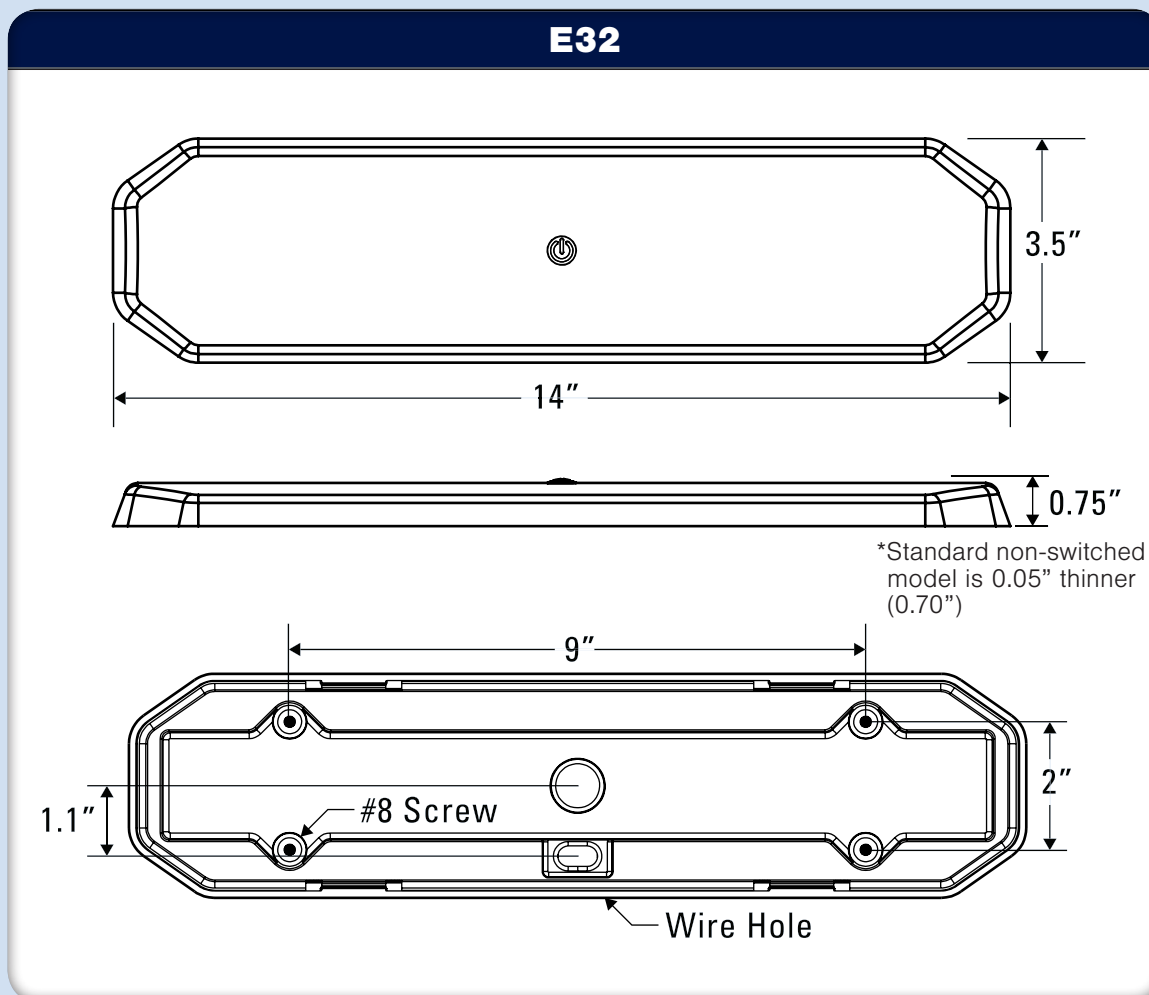


TecNiq's New Surface Mounted Interior Light

Cutting a large hole to mount an interior lamp inside a vessel, vehicle or trailer is often not an option due structural or aesthetics reasons. TecNiq's E32 Surface Mounted Interior Light installs quickly and easily with hidden fasteners for an attractive, finished appearance. It delivers a massive 2,200 lumens, yet has an ultra-low profile of less than 3/4".

The E32 is offered in three models: standard, with a built-in manual on/off switch and with an integrated automatic motion detector switch. All are 14" L x 3.5" W and come with TecNiq's lifetime guarantee.

- Easy to install – Just need a 1/4" hole for the wire feed, and four screws
- Lens/Cover snaps on securely – giving a great looking light, no visible fasteners
- Available in three models – Standard, ON/OFF Button or Motion Detector Model for Auto ON/OFF function
- Light base is powder coated white for excellent corrosion resistance
- Massive amount of lumens for a 14" light – 2200 lumens. This is huge compared to other similar solutions on the market



Part Number	Description	Amp Draw	Lumens	Connector
E32-L000-1	Interior 4K White 42 LED Surface Mount Light	1.36A - 1.84A	2200	12" Sheathed Pigtail
E32-L00S-1	Interior 4K White 42 LED Surface Mount Light W/ Switch			
E32-L00M-1	Interior 4K White 42 LED Surface Mount Light W/ Motion Detector			

Easy to install, the E32 requires a 1/4" hole and installs with four screws. The lens snaps on securely to the powder coated, corrosion-resistant base, while hiding all fasteners. It comes hard-wired with a 12" sheathed lead for fast, simple connection.