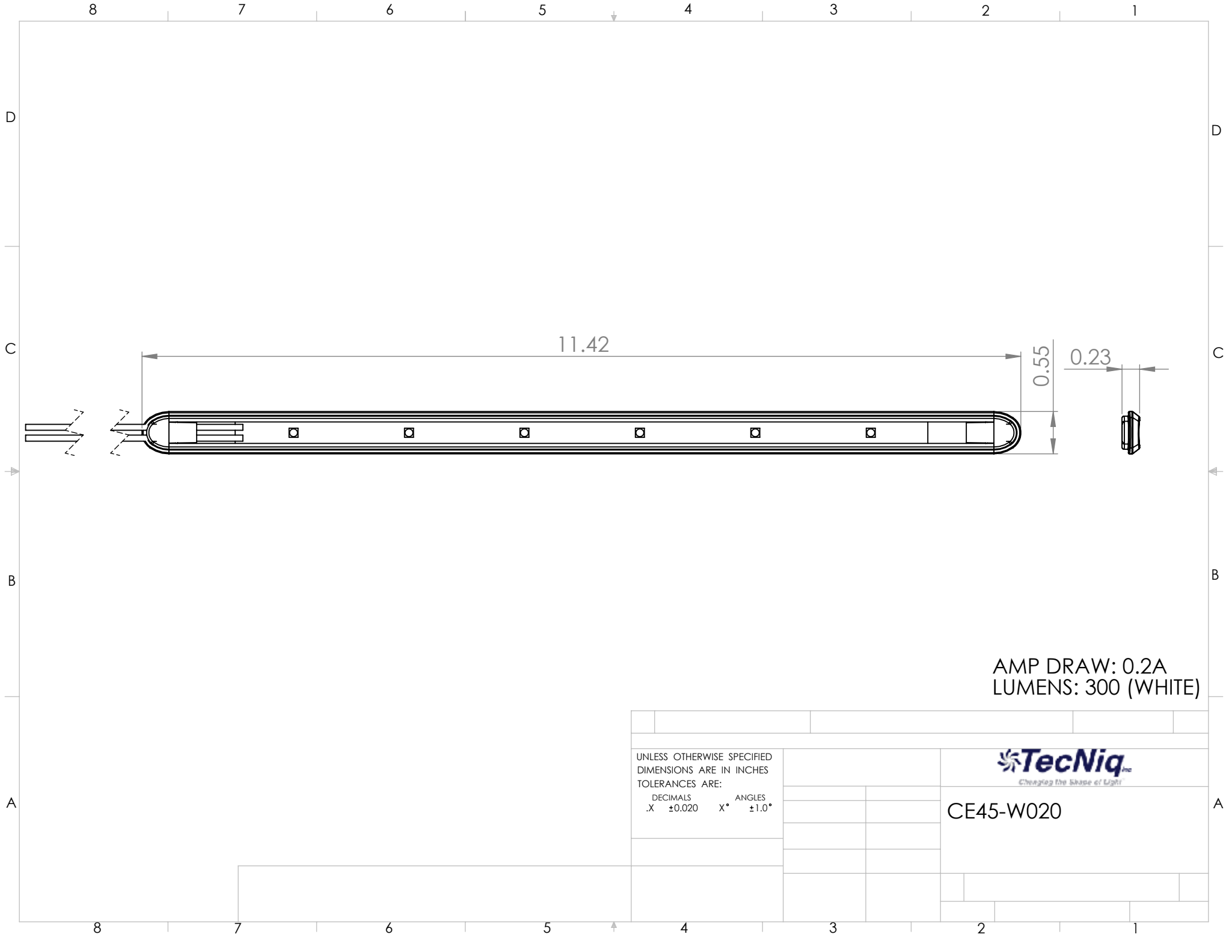


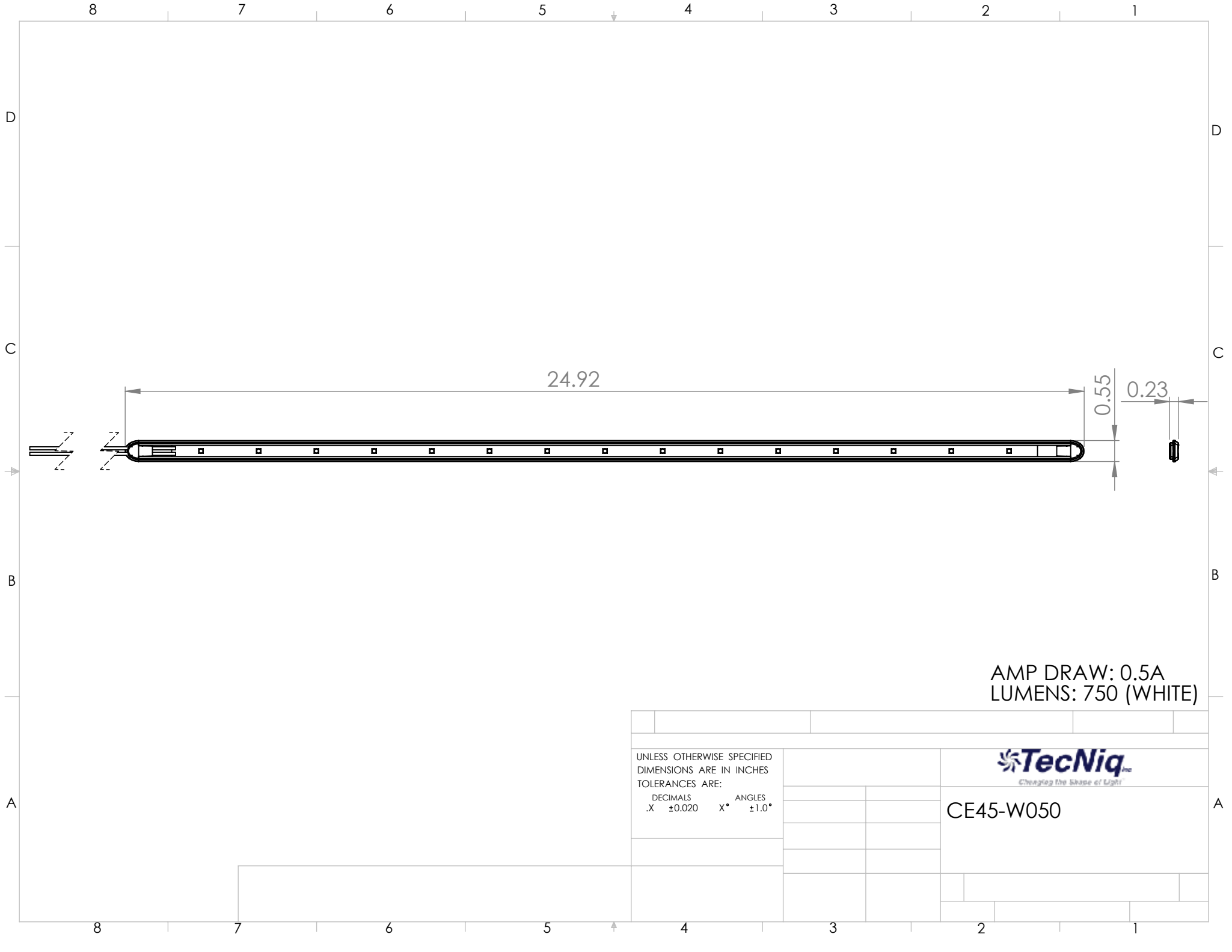
AMP DRAW: 0.1A  
 IUMENS: 150 (WHITE)

UNLESS OTHERWISE SPECIFIED DIMENSIONS ARE IN INCHES TOLERANCES ARE:		 <b>TecNiq</b> <i>Changing the Shape of Light</i>
DECIMALS .X ±0.020	ANGLES X° ±1.0°	
CE45-W010		



AMP DRAW: 0.2A  
 LUMENS: 300 (WHITE)

UNLESS OTHERWISE SPECIFIED DIMENSIONS ARE IN INCHES TOLERANCES ARE:		 <b>TecNiq</b> <small>Changing the Shape of Light</small>
DECIMALS .X ±0.020	ANGLES X° ±1.0°	
		CE45-W020



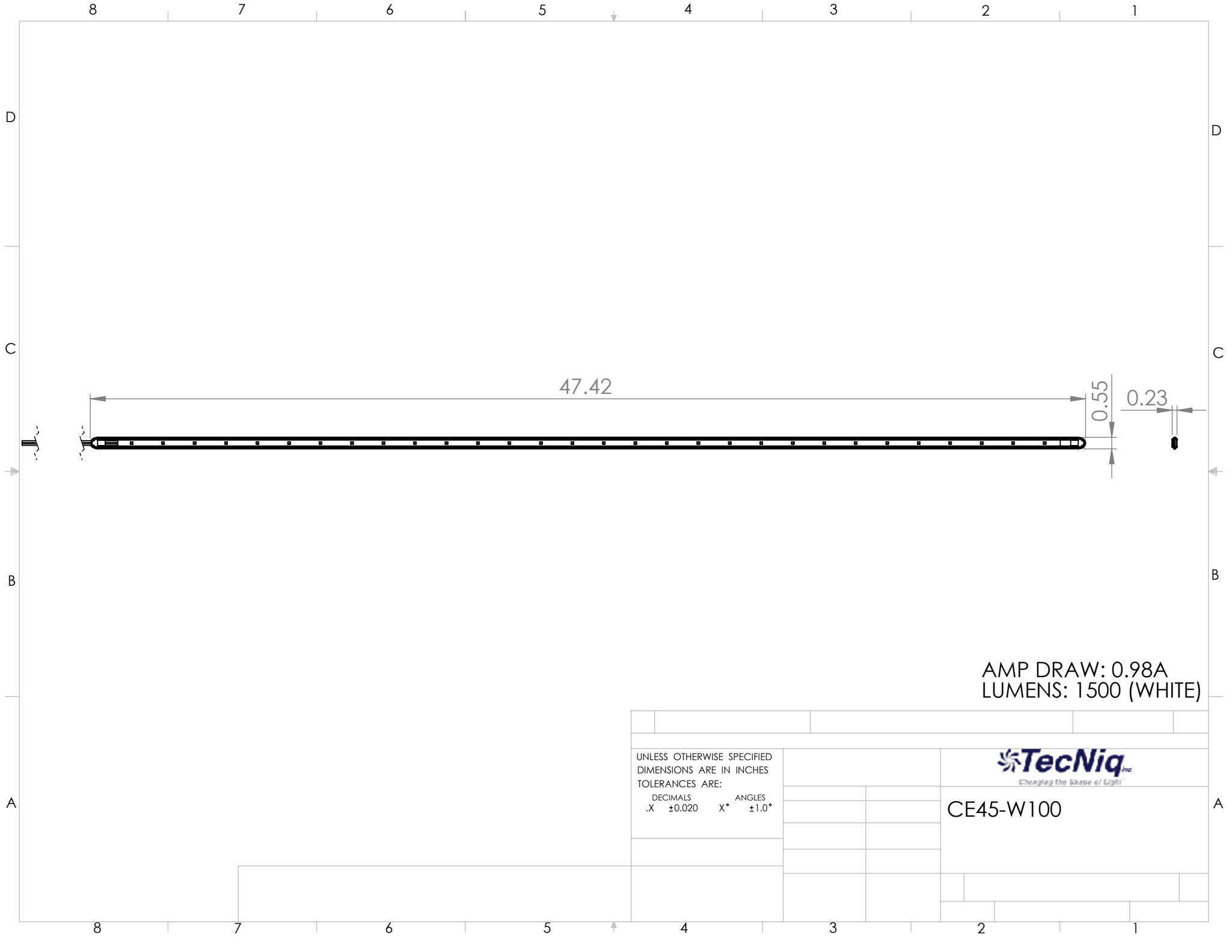
24.92

0.55

0.23

AMP DRAW: 0.5A  
LUMENS: 750 (WHITE)

UNLESS OTHERWISE SPECIFIED DIMENSIONS ARE IN INCHES TOLERANCES ARE:		 <b>TecNiq</b> <small>Cheer up the Shape of Light</small>
DECIMALS .X ±0.020	ANGLES X° ±1.0°	
		CE45-W050



47.42

0.55

0.23

AMP DRAW: 0.98A  
LUMENS: 1500 (WHITE)

UNLESS OTHERWISE SPECIFIED  
DIMENSIONS ARE IN INCHES  
TOLERANCES ARE:  
DECIMALS .X ±0.020 ANGLES X° ±1.0°



CE45-W100