

D

D

C

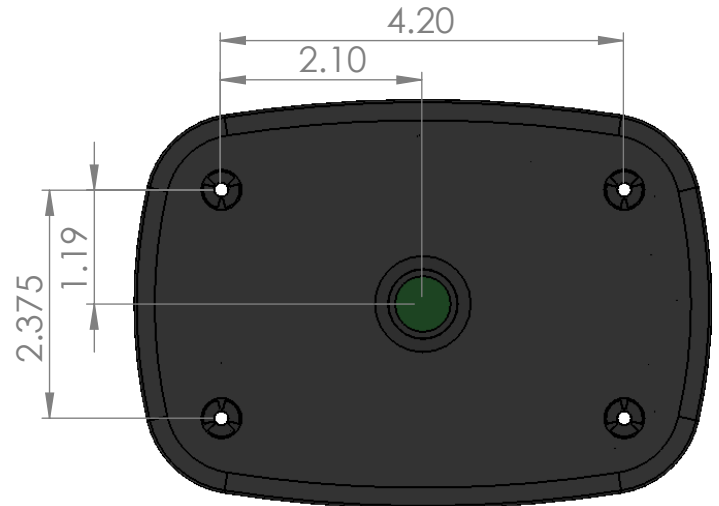
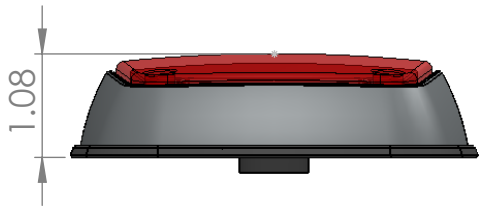
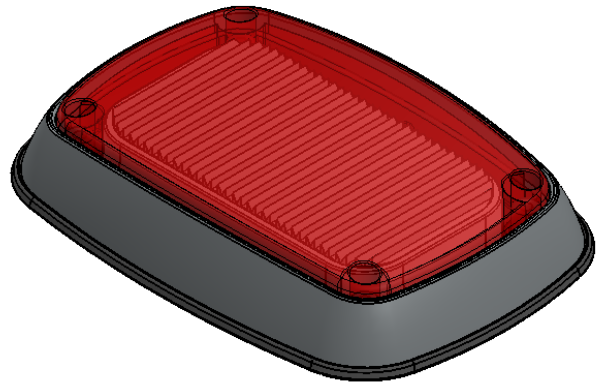
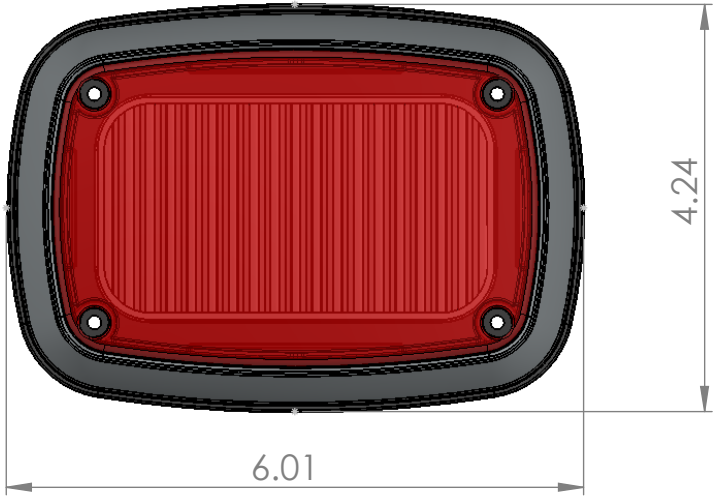
C

B

B

A

A



1" CENTER HOLE
13/64 ANCHOR HOLES

CONFIDENTIAL

THE INFORMATION CONTAINED IN THIS DRAWING IS THE SOLE PROPERTY OF Dragonfish Technologies LLC. ANY REPRODUCTION IN PART OR WHOLE WITHOUT THE WRITTEN PERMISSION OF Dragonfish Technologies LLC IS PROHIBITED.

ITEM NO.	PART OR IDENTIFYING NO.	NOMENCLATURE OR DESCRIPTION	MATERIAL SPECIFICATION	QTY REQD
PARTS LIST				
UNLESS OTHERWISE SPECIFIED DIMENSIONS ARE IN INCHES TOLERANCES ARE:		CAD GENERATED DRAWING BY: DRAGONFISH TECHNOLOGIES LLC		
DECIMALS .X ±0.020 .XX ±0.010 .XXX ±0.003		APPROVALS DRAWN TC CHECKED		DATE 7/20/2015
ANGLES X° ±1.0° X.X° ±0.5° X.XX° ±0.1°		DATE		
MATERIAL		RESP ENG		K40
FINISH --		MFG ENG		
DO NOT SCALE DRAWING		QUAL ENG		
SCALE 1		DWG. NO. 1		REV. A
SHEET 1 OF 1		CAD FILE:		

