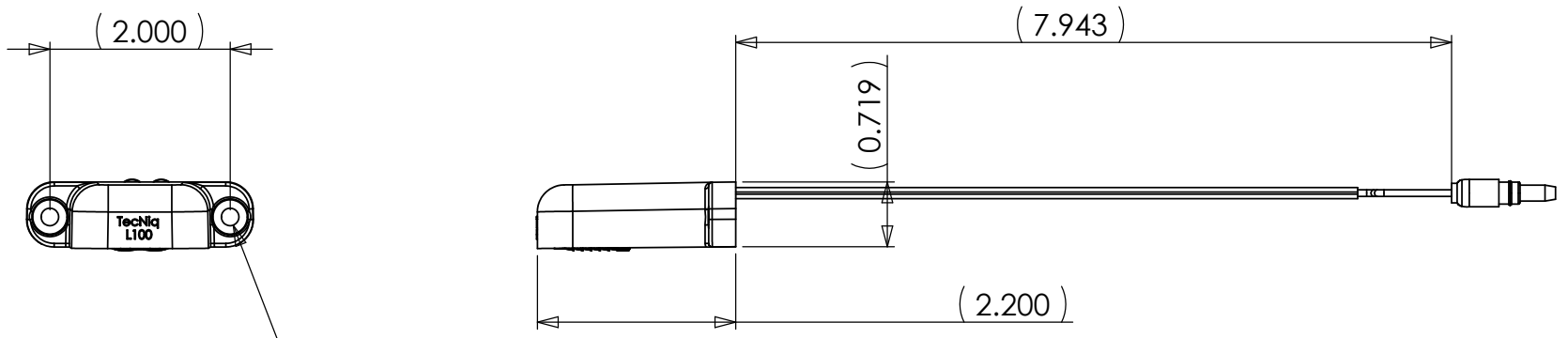


Optional bullet connector



$\varnothing 0.194$
Clearance for #8 cap screw

THE INFORMATION CONTAINED IN THIS DRAWING IS THE SOLE PROPERTY OF
 TecNiq inc. ANY REPRODUCTION IN PART OR WHOLE WITHOUT
 THE WRITTEN PERMISSION OF TecNiq Inc. IS PROHIBITED.
CONFIDENTIAL

UNLESS OTHERWISE SPECIFIED DIMENSIONS ARE IN INCHES TOLERANCES ARE: DECIMALS .XXX + ± 0.010 " ANGLES .XX $\pm .1$ deg	CAD GENERATED DRAWING, DO NOT MANUALLY UPDATE		TECNIQ INC. L100 Model License Lamp
	MATERIAL	--	
	FINISH	--	
	DO NOT SCALE DRAWING		
	SIZE A	DWG. NO.	