
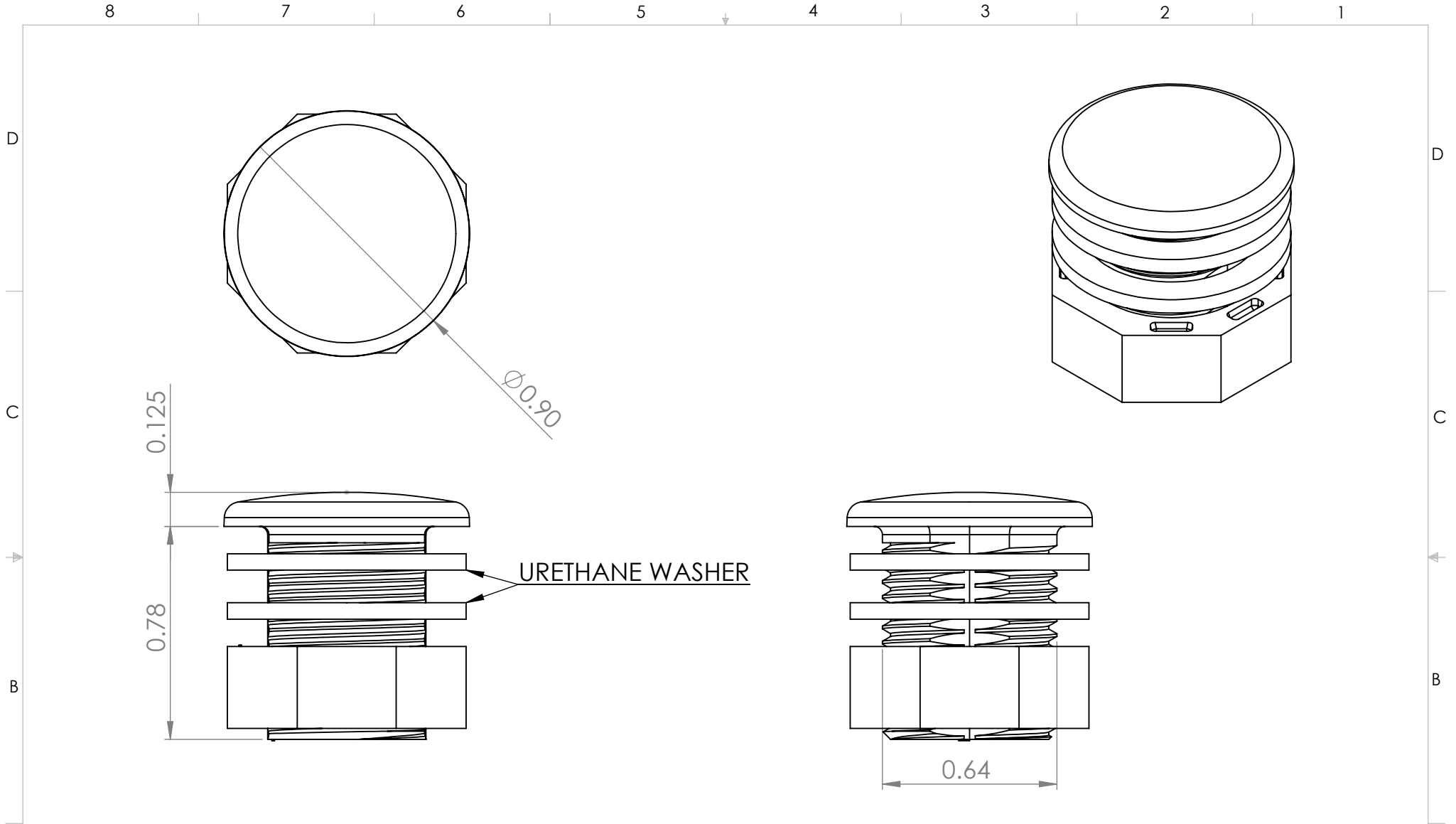


URETHANE WASHER

CONFIDENTIAL

THE INFORMATION CONTAINED IN THIS DRAWING IS THE SOLE PROPERTY OF Dragonfish Technologies LLC. ANY REPRODUCTION IN PART OR WHOLE WITHOUT THE WRITTEN PERMISSION OF Dragonfish Technologies LLC IS PROHIBITED.

ITEM NO.	PART OR IDENTIFYING NO.	NOMENCLATURE OR DESCRIPTION	MATERIAL SPECIFICATION	QTY REQD		
PARTS LIST						
UNLESS OTHERWISE SPECIFIED DIMENSIONS ARE IN INCHES TOLERANCES ARE:		CAD GENERATED DRAWING BY: DRAGONFISH TECHNOLOGIES LLC				
DECIMALS .X ±0.020 .XX ±0.010 .XXX ±0.003		APPROVALS DRAWN TC CHECKED		DATE 9/7/2016		
ANGLES X° ±1.0° X.X° ±0.5° X.XX° ±0.1°		 M90 WITH ACCENT COVER				
MATERIAL					RESP ENG	
FINISH --					MFG ENG	
DO NOT SCALE DRAWING					QUAL ENG	
SIZE A	DWG. NO.	SCALE 1	CAD FILE:	REV. A		
SHEET 1 OF 2						



CONFIDENTIAL

THE INFORMATION CONTAINED IN THIS DRAWING IS THE SOLE PROPERTY OF Dragonfish Technologies LLC. ANY REPRODUCTION IN PART OR WHOLE WITHOUT THE WRITTEN PERMISSION OF Dragonfish Technologies LLC IS PROHIBITED.

ITEM NO.	PART OR IDENTIFYING NO.	NOMENCLATURE OR DESCRIPTION	MATERIAL SPECIFICATION	QTY REQD
PARTS LIST				
UNLESS OTHERWISE SPECIFIED DIMENSIONS ARE IN INCHES TOLERANCES ARE:		CAD GENERATED DRAWING BY: DRAGONFISH TECHNOLOGIES LLC		
DECIMALS .X ±0.020 .XX ±0.010 .XXX ±0.003		APPROVALS DRAWN TC CHECKED		DATE 9/7/2016
ANGLES X° ±1.0° X.X° ±0.5° X.XX° ±0.1°		MFG ENG		
MATERIAL		RESP ENG		SIZE M90
FINISH --		QUAL ENG		
DO NOT SCALE DRAWING		SCALE 1		DWG. NO. 2
			CAD FILE:	REV. A
			SHEET 2 OF 2	

