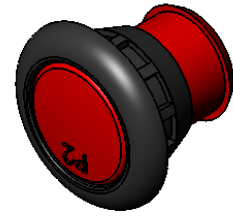
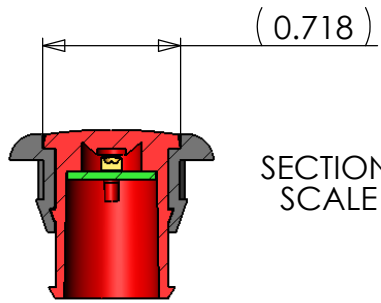
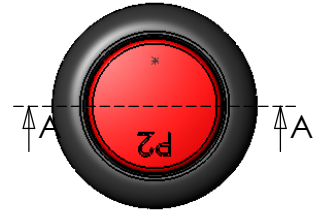
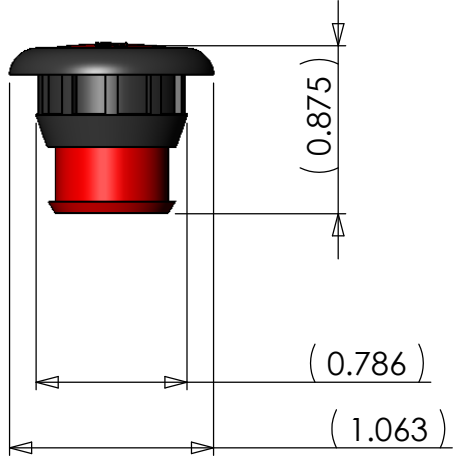


D
C
B
A



20 GAUGE 2 CONDUCTOR WIRE
LENGTH 9 INCHES

THE INFORMATION CONTAINED IN THIS DRAWING IS THE SOLE PROPERTY OF
TecNiq inc. ANY REPRODUCTION IN PART OR WHOLE WITHOUT
THE WRITTEN PERMISSION OF TecNiq Inc. IS PROHIBITED.
CONFIDENTIAL

UNLESS OTHERWISE SPECIFIED DIMENSIONS ARE IN INCHES	CAD GENERATED DRAWING, DO NOT MANUALLY UPDATE		TECNIQ INC.
TOLERANCES ARE: DECIMALS .XXX + .010" ANGLES .XX ± .1deg			
MATERIAL --			SIZE A
FINISH --			DWG. NO.
DO NOT SCALE DRAWING			

8 7 6 5 4 3 2 1

8 7 6 5 4 3 2 1