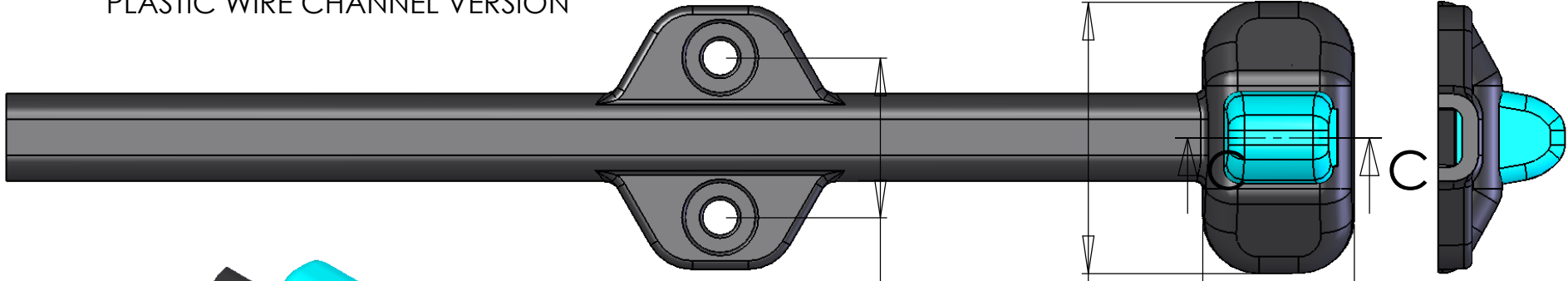
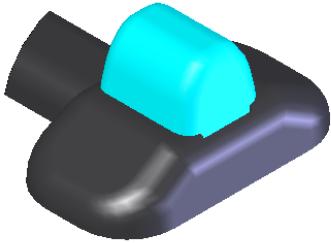


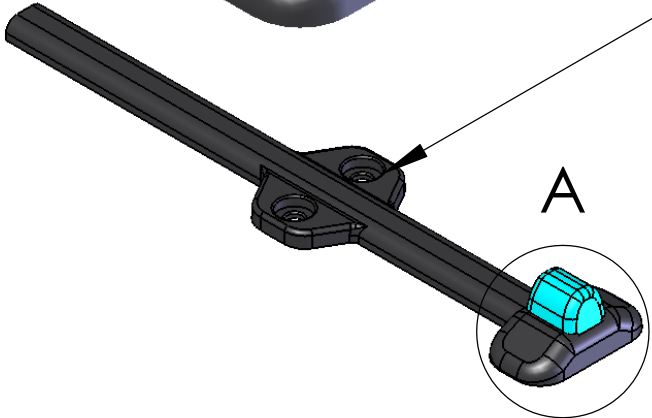
SCALE 1:1
PLASTIC WIRE CHANNEL VERSION



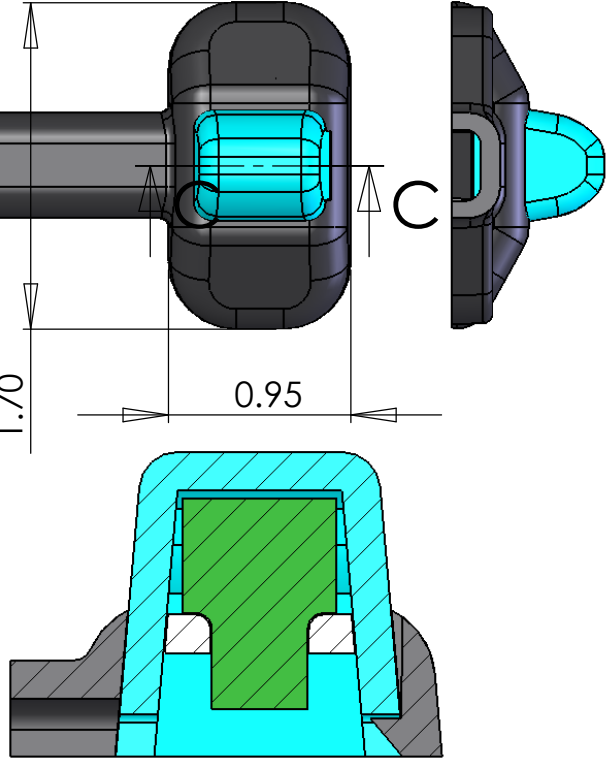
DETAIL A



#10 CAP SCREWS



SECTION C-C
SCALE 2:1



THE INFORMATION CONTAINED IN THIS DRAWING IS THE SOLE PROPERTY OF TecNiq inc. ANY REPRODUCTION IN PART OR WHOLE WITHOUT THE WRITTEN PERMISSION OF TecNiq Inc. IS PROHIBITED.
CONFIDENTIAL

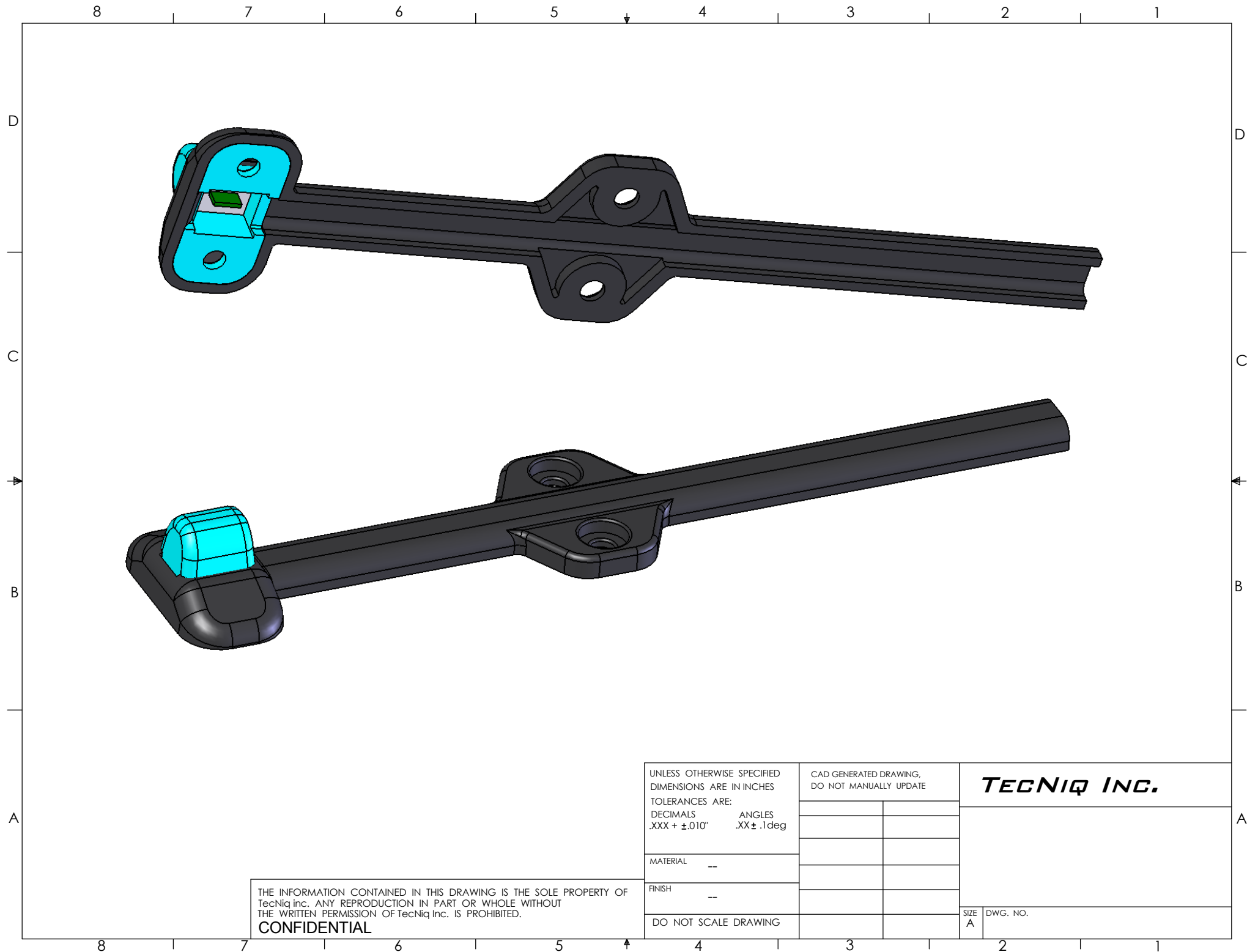
UNLESS OTHERWISE SPECIFIED DIMENSIONS ARE IN INCHES
TOLERANCES ARE:
DECIMALS .XXX + .010"
ANGLES .XX ± .1deg

CAD GENERATED DRAWING,
DO NOT MANUALLY UPDATE

TECNIQ INC.

MATERIAL --
FINISH --
DO NOT SCALE DRAWING

SIZE A DWG. NO.



UNLESS OTHERWISE SPECIFIED
 DIMENSIONS ARE IN INCHES
 TOLERANCES ARE:
 DECIMALS ANGLES
 .XXX + .010" .XX ± .1deg

CAD GENERATED DRAWING,
 DO NOT MANUALLY UPDATE

TECNIQ INC.

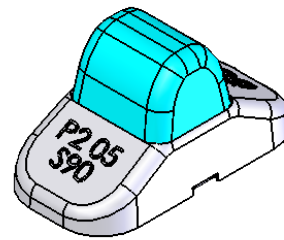
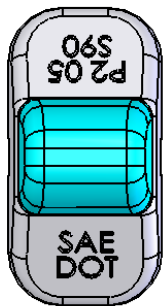
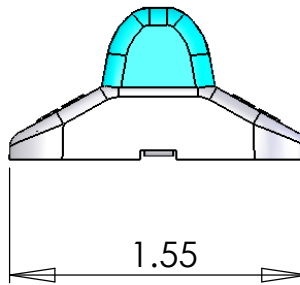
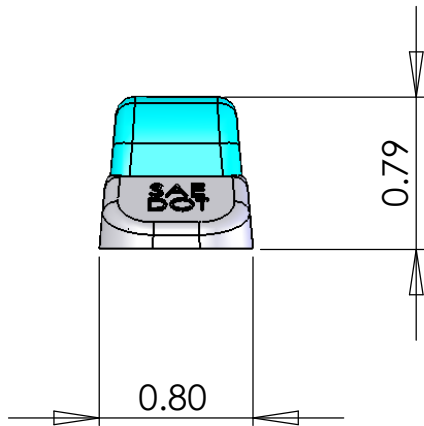
MATERIAL --

FINISH --

DO NOT SCALE DRAWING

SIZE A DWG. NO.

THE INFORMATION CONTAINED IN THIS DRAWING IS THE SOLE PROPERTY OF
 TecNiq inc. ANY REPRODUCTION IN PART OR WHOLE WITHOUT
 THE WRITTEN PERMISSION OF TecNiq Inc. IS PROHIBITED.
CONFIDENTIAL



SCALE 1:1
SNAP ON STAINLESS STEEL COVER OPTION

THE INFORMATION CONTAINED IN THIS DRAWING IS THE SOLE PROPERTY OF TecNiq Inc. ANY REPRODUCTION IN PART OR WHOLE WITHOUT THE WRITTEN PERMISSION OF TecNiq Inc. IS PROHIBITED.
CONFIDENTIAL

UNLESS OTHERWISE SPECIFIED
DIMENSIONS ARE IN INCHES
TOLERANCES ARE:
DECIMALS .XXX + .010"
ANGLES .XX ± .1deg

CAD GENERATED DRAWING,
DO NOT MANUALLY UPDATE

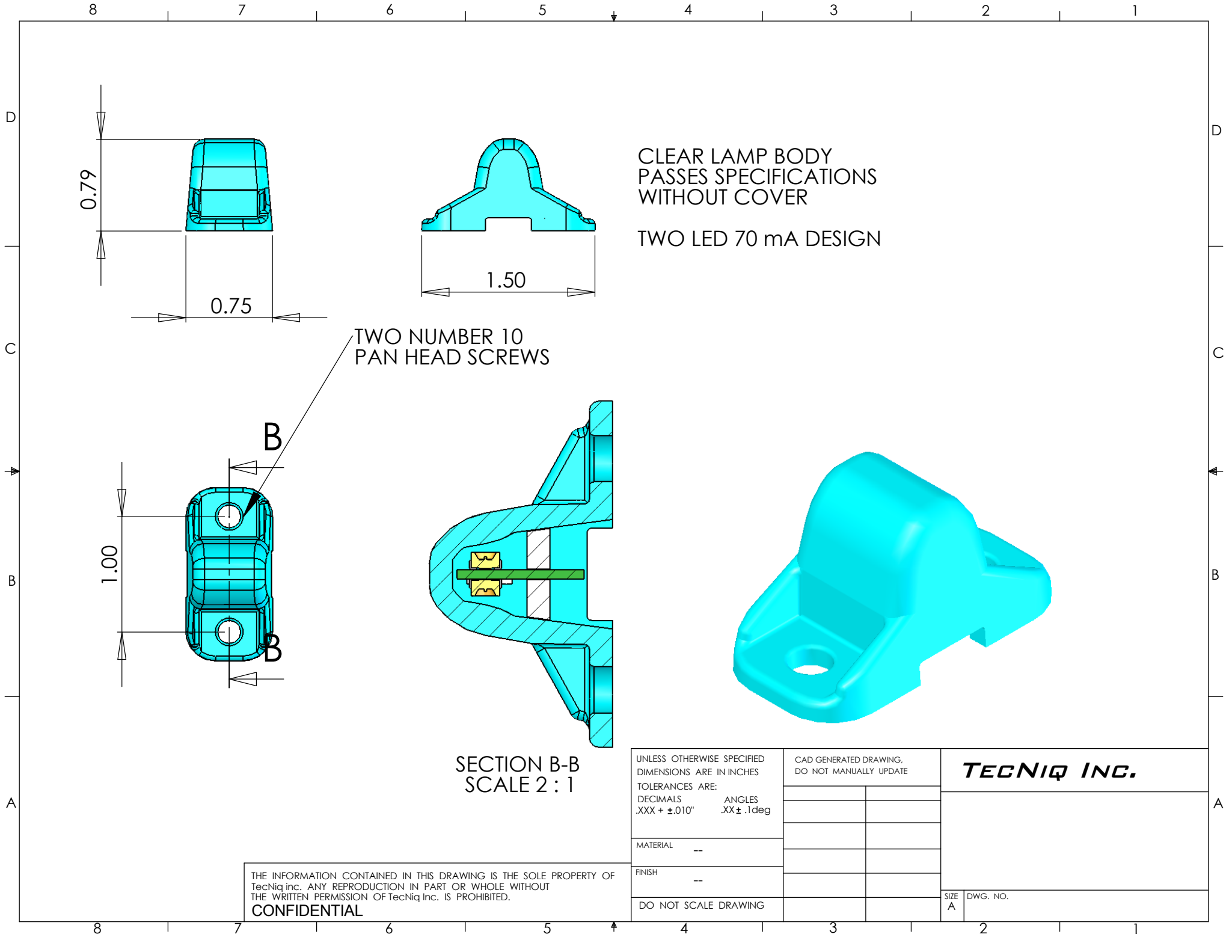
TECNIQ INC.

MATERIAL --

FINISH --

DO NOT SCALE DRAWING

SIZE A DWG. NO.



CLEAR LAMP BODY
 PASSES SPECIFICATIONS
 WITHOUT COVER

TWO LED 70 mA DESIGN

TWO NUMBER 10
 PAN HEAD SCREWS

SECTION B-B
 SCALE 2 : 1

UNLESS OTHERWISE SPECIFIED DIMENSIONS ARE IN INCHES	CAD GENERATED DRAWING, DO NOT MANUALLY UPDATE	
TOLERANCES ARE:		
DECIMALS .XXX + \pm .010"	ANGLES .XX \pm .1deg	
MATERIAL --		
FINISH --		
DO NOT SCALE DRAWING		

TECNIQ INC.

THE INFORMATION CONTAINED IN THIS DRAWING IS THE SOLE PROPERTY OF
 TecNiq inc. ANY REPRODUCTION IN PART OR WHOLE WITHOUT
 THE WRITTEN PERMISSION OF TecNiq Inc. IS PROHIBITED.
CONFIDENTIAL

SIZE A DWG. NO.