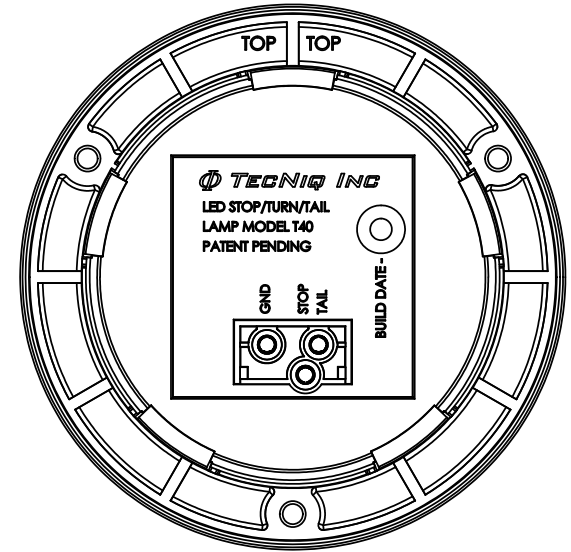
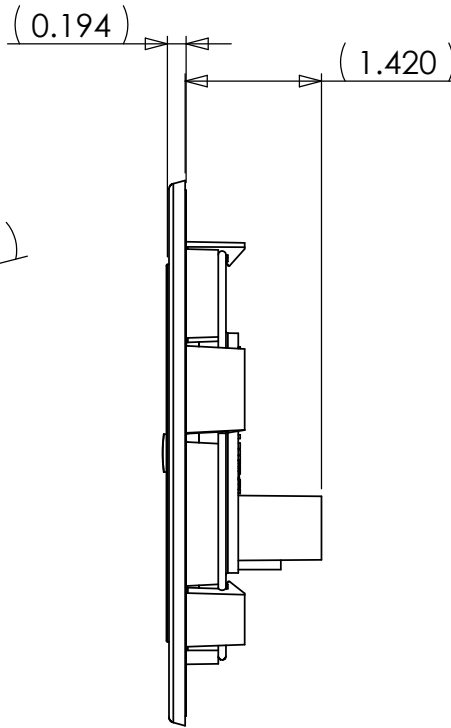
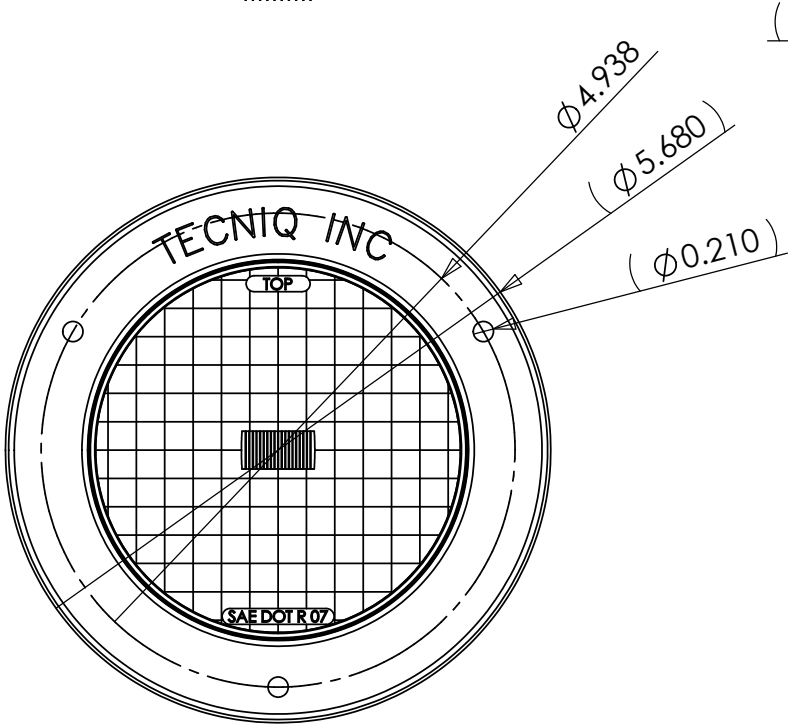
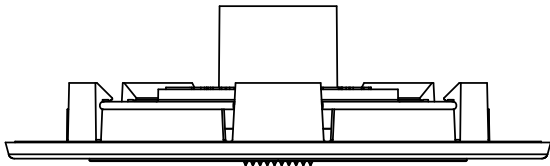


THE INFORMATION CONTAINED IN THIS DRAWING IS THE SOLE PROPERTY OF TecNiq inc. ANY REPRODUCTION IN PART OR WHOLE WITHOUT THE WRITTEN PERMISSION OF TecNiq Inc. IS PROHIBITED.
CONFIDENTIAL

UNLESS OTHERWISE SPECIFIED DIMENSIONS ARE IN INCHES TOLERANCES ARE: DECIMALS .XXX + .010" ANGLES .XX ± .1deg	CAD GENERATED DRAWING, DO NOT MANUALLY UPDATE	TECNIQ INC.	
MATERIAL --			T40 AND T41 BASIC DIMENSIONS AMP CONNECTOR GROMMET MOUNT
FINISH --			
DO NOT SCALE DRAWING			
	SIZE A	DWG. NO.	



MOUNTS IN 4.5" HOLE

THE INFORMATION CONTAINED IN THIS DRAWING IS THE SOLE PROPERTY OF TecNiq inc. ANY REPRODUCTION IN PART OR WHOLE WITHOUT THE WRITTEN PERMISSION OF TecNiq Inc. IS PROHIBITED.
CONFIDENTIAL

UNLESS OTHERWISE SPECIFIED DIMENSIONS ARE IN INCHES TOLERANCES ARE: DECIMALS .XXX + ±.010" ANGLES .XX ± .1deg	CAD GENERATED DRAWING, DO NOT MANUALLY UPDATE	TECNIQ INC. T40 AND T41 BASIC DIMENSIONS T CONNECTOR ANTI-THEFT FLANGE MOUNT SIZE A DWG. NO.
MATERIAL --		
FINISH --		
DO NOT SCALE DRAWING		