
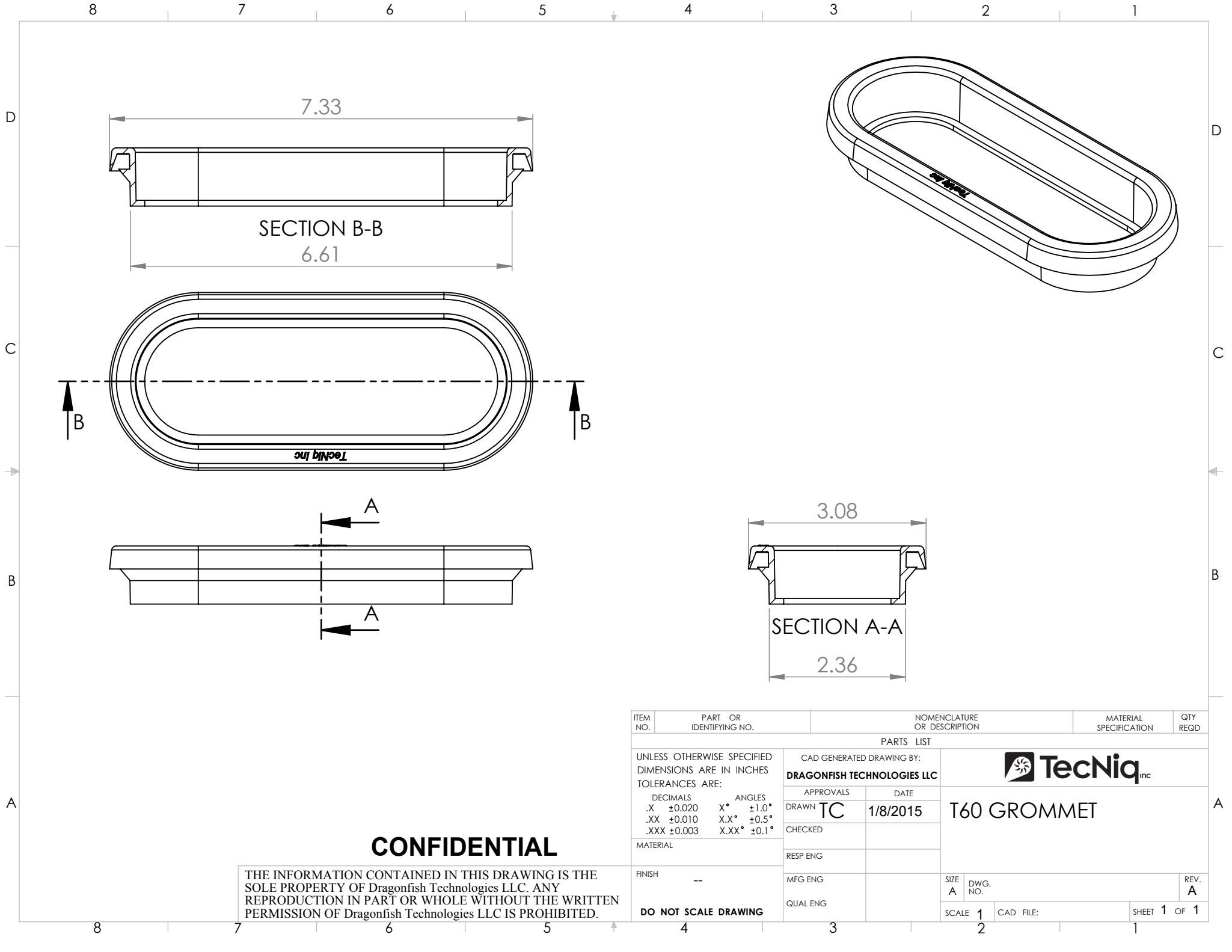


POLYCARBONATE LENS
 SONIC SEALED EXTERIOR
 FULLY POTTED ELECTRONICS
 5 SYLVANIA OSRAM LED'S
 120mA POWER DRAW
 10-15 VOLTS
 WORLDS MOST EFFICIENT TAIL LAMP

CONFIDENTIAL

THE INFORMATION CONTAINED IN THIS DRAWING IS THE SOLE PROPERTY OF Dragonfish Technologies LLC. ANY REPRODUCTION IN PART OR WHOLE WITHOUT THE WRITTEN PERMISSION OF Dragonfish Technologies LLC IS PROHIBITED.

ITEM NO.	PART OR IDENTIFYING NO.	NOMENCLATURE OR DESCRIPTION	MATERIAL SPECIFICATION	QTY REQD		
PARTS LIST						
UNLESS OTHERWISE SPECIFIED DIMENSIONS ARE IN INCHES TOLERANCES ARE:		CAD GENERATED DRAWING BY: DRAGONFISH TECHNOLOGIES LLC				
DECIMALS .X ±0.020 .XX ±0.010 .XXX ±0.003		DATE 3/1/2013				
ANGLES X° ±1.0° X.X° ±0.5° X.XX° ±0.1°		 T60-RRHT-1 T60-RRVT-1 GROMMET MOUNT TAIL LAMP				
MATERIAL					APPROVALS DRAWN JC	CHECKED
FINISH --					RESP ENG	MFG ENG
DO NOT SCALE DRAWING					QUAL ENG	SCALE 1
		DWG. NO.		REV. A		
		SHEET 1 OF 1				



CONFIDENTIAL

THE INFORMATION CONTAINED IN THIS DRAWING IS THE SOLE PROPERTY OF Dragonfish Technologies LLC. ANY REPRODUCTION IN PART OR WHOLE WITHOUT THE WRITTEN PERMISSION OF Dragonfish Technologies LLC IS PROHIBITED.

ITEM NO.	PART OR IDENTIFYING NO.	NOMENCLATURE OR DESCRIPTION	MATERIAL SPECIFICATION	QTY REQD
PARTS LIST				
UNLESS OTHERWISE SPECIFIED DIMENSIONS ARE IN INCHES TOLERANCES ARE:		CAD GENERATED DRAWING BY: DRAGONFISH TECHNOLOGIES LLC		
DECIMALS .X ±0.020 .XX ±0.010 .XXX ±0.003		APPROVALS DRAWN TC CHECKED		DATE 1/8/2015
ANGLES X° ±1.0° X.X° ±0.5° X.XX° ±0.1°		RESP ENG		
MATERIAL		MFG ENG		
FINISH --		QUAL ENG		
DO NOT SCALE DRAWING		SIZE A DWG. NO.		REV. A
		SCALE 1 CAD FILE:		SHEET 1 OF 1



T60 GROMMET