

**The D17 Accent Lights.** The ALL NEW D17 Accent Lights are built on the same foundation as all TecNiq Lights – superior engineering, sleek design, and an unwavering commitment to the highest quality product on the market. The D17's are the perfect option for boats, RV's, work trucks, trailers, delivery trucks, and more. Light up walk areas for safer movement, deliver visibility in dark areas, and provide long lasting performance.



See [www.TecNiqInc.com](http://www.TecNiqInc.com) for more details and a complete list of part numbers.



**D17**

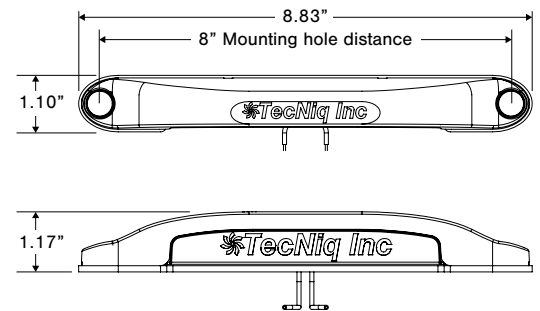
**ANCILLARY  
ACCENT LIGHT**

### Technical features

- ✦ This accent light provides efficient options for boat decks, RV's, and additional applications, where style and function are desired
- ✦ Lamp features (6) high efficiency LEDs, providing **540 lumens** of output
- ✦ Sleek and stylish surface mount design
- ✦ IP68 Rated – Guaranteed dust and water proof
- ✦ **NOW AVAILABLE with New Front Facing Light Projection**

### Specifications

<b>Dimensions:</b>	8.83" x 1.10" x 1.17"
<b>LEDs:</b>	6
<b>Voltage:</b>	9 - 14V DC
<b>Current:</b>	0.21 - 0.29A
<b>Connector:</b>	9" Unsheathed Pigtail
<b>Mounting:</b>	Surface mounted
<b>Lumens:</b>	540
<b>LED colors:</b>	White & RGB version



### California Proposition 65

WARNING: This product can expose you to chemicals including lead, which is known to the State of California to cause cancer, birth defects or other reproductive harm

Part Numbers	Description	Std Pk	Connector
D17-WB00-1	Ancillary Accent Light Black	TBD	9" Pigtail
D17-WS00-1	Ancillary Accent Light w/ Stainless Cover	TBD	9" Pigtail
D17-W0S0-1	<b>Accent Light Front Facing, NO COVER</b>	TBD	9" Pigtail
D17-30S0-1	Surface Mount RGB Accent Light	TBD	9" Pigtail

