

TecNiq's E07 was designed to meet the rigorous demands of the ambulance industry's NFPA 1917 and Triple-K spec. This thin, low-profile lamp can also be used in harsh environments where power consumption and ceiling space are limited. The superior color quality of TecNiq's **AccuColor** technology gives a more natural color rendering - allowing faster and more accurate diagnosis, while minimizing glare in operator's eyes.



See www.TecNiqInc.com for more details and a complete list of part numbers.

E07

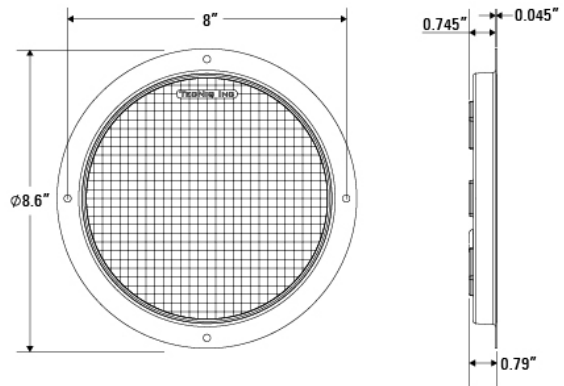
**8" RECESSED MEDICAL
VEHICLE INTERIOR LIGHT**

Technical features

- ✦ Excellent interior illumination
- ✦ Vibration proof, moisture resistant design
- ✦ Exceeds Triple K requirements
- ✦ Reliable performance over 50,000 hours
- ✦ High quality LEDs that won't change color over time

Specifications

Dimensions:	8.6" x 0.79"
LEDs:	7
Voltage:	9 - 14V DC
Current:	1.00A-1.35A
Connector:	9"
Mounting:	Fits standard holes on 8" circle with (4) #8 screws
LED colors:	White and Neutral White
Lumens:	840



California Proposition 65

WARNING: This product can expose you to chemicals including lead, which is known to the State of California to cause cancer, birth defects or other reproductive harm

Part Numbers	Description	Std	Connector
E07-WC00-1	8" EV Recessed Cool White LED w/ Chrome Trim Ring	10	9" Pigtail
E07-WW00-1	8" EV Recessed Cool White LED w/ White Powder Coat Trim Ring	10	9" Pigtail

