

Finally, simplicity in a **warning flasher!** TecNiq's **AutoSync** eliminates the need for a costly central vehicle flash controller or any interconnections between lamps. Our patent-pending technology enables TecNiq emergency flashers to hold synchronized flash patterns for over 8 hours of continuous use. The **K10 Beacon** is the perfect LED for **work trucks, boom lifts, heavy duty trucks and trailers, waste and dump trucks**, or any other situation **high visibility and safety** are concerns.



K10
Flashing Beacon

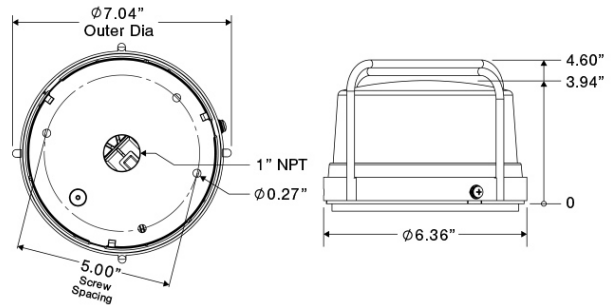


Technical features

- ☼ SAE J845 Class 1, Approved
- ☼ Surface or 1" pole mount option
- ☼ Standard single flash and AutoSync models
- ☼ Black powder coated die cast aluminum base
- ☼ Includes mounting gasket to protect vehicle surface
- ☼ IP68 Rated – Dust and Waterproof
- ☼ Power: 12V/24 VDC

Specifications

Dimensions:	7.04" x 4.6" (see diagram)
LEDs:	24
Current:	Hi - ≈0.7A (average) – 1.7A (peak)
Wire:	8.5" Pigtail
Mounting:	Surface or Pole Mount (1" NPT width)
LED colors:	Amber, and Red
Voltage:	12/24V DC



California Proposition 65
WARNING: This product can expose you to chemicals including lead, which is known to the State of California to cause cancer, birth defects or other reproductive harm

Part Numbers	Description	Std. Pack	Connector
K10-0CB0-1	Beacon Light Brush Guard	1	Pigtail 8.5"
K10-AA0P-1	K10 Amber Beacon Light Amber Lens Single Flash Pattern W/Pigtail	1	Pigtail 8.5"
K10-AADP-1	K10 Amber Beacon Light Amber Lens Autosync Multi-Flash Pattern W/Pigtail	1	Pigtail 8.5"
K10-RR0P-1	K10 Red Beacon Light Red Lens Single Flash Pattern W/Pigtail	1	Pigtail 8.5"
K10-RRDP-1	K10 Red Beacon Light Red Lens Autosync Multi-Flash Pattern W/Pigtail	1	Pigtail 8.5"

