

TecNiq's M50 Water Dragon lights are some of the brightest on the market, available in 3-12 diodes and multiple colors, featuring our proprietary potting, anodized die-cast aluminum body and 316 stainless steel cover. Ready to surface mount and provide vibrant underwater lighting for years to come. A quality product, backed by the TecNiq guarantee.

See www.TecNiqInc.com for more details and a complete list of part numbers.

M50

WATER DRAGON UNDERWATER LIGHTS

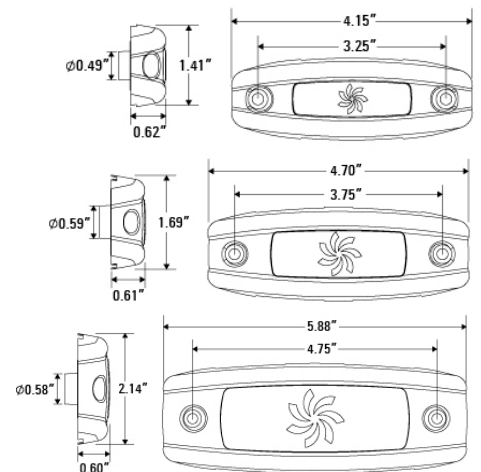


Technical features

- ✦ Available in three vibrant colors, White, Blue & Green
- ✦ Thermal overheat protection
- ✦ Surface mount design is a snap to install, no large holes to seal
- ✦ Available in color changing RGB option

Specifications

Dimensions:	5.88" x 2.14" x 0.60" 4.7" x 1.69" x 0.61" 4.15" x 1.41" x 0.62"
LEDs:	3 / 6 / 12
Voltage:	9 - 30V DC (M50 Models) 9 - 14V DC (M51 Model)
Connector:	36" (72" for RGB models)
Mounting:	mounts with just (2) screws
LED colors:	White, Blue, Green, and RGB



California Proposition 65

WARNING: This product can expose you to chemicals including lead, which is known to the State of California to cause cancer, birth defects or other reproductive harm

Part Numbers	Description	Std	Connector
M50-3S03-1	Water Dragon Underwater Light + Driver, RGB (3) LED	10	Sheathed Pigtail (72")
M50-3S06-1	Water Dragon Underwater Light + Driver, RGB (6) LED	10	Sheathed Pigtail (72")
M50-3S12-1	Water Dragon Underwater Light + Driver, RGB (12) LED	10	Sheathed Pigtail (72")

