

The **ALL NEW S25 "Retro Reflector" Side Marker** from TecNiq is exactly the upgrade your RV, Trailer, or older model Work Truck has been waiting for. Designed to replace existing incandescent lighting, the **S25** provides a 100% sealed circuit board light that meets or exceeds FMVSS 108 standards for wide or narrow vehicles. Keep the look, but upgrade the illumination with the S25 from TecNiq.

See www.TecNiqInc.com for a complete list of part numbers, as well as other great products.



S25

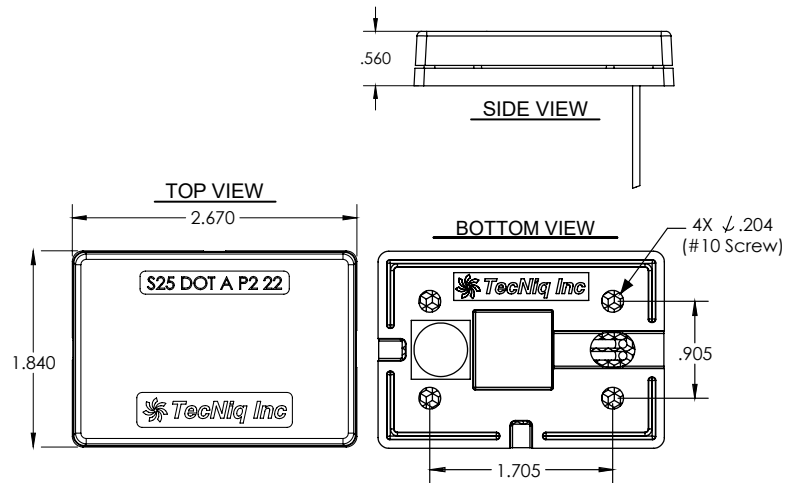
**RETRO REFLECTOR
SIDE MARKER LIGHT**

Technical Features

- ✦ All New rectangular "Retro" reflector side marker
- ✦ Water resistant design with 100% potted circuit board
- ✦ Meets or exceeds FMVSS 108 standards
- ✦ Available in Amber or Red, with White LED
- ✦ Connects with an 11" Sheathed Pigtail, or 0.156" Bullets

Specifications

Dimensions:	2.67" x 1.84" x 0.56"
LEDs:	1
Voltage:	9 - 14V DC
Current:	0.08A @ 12V
Connector:	9" Pigtail and 0.156" Bullets
Mounting:	Surface mount with #10 screws
Lumens	45



California Proposition 65

Part Numbers	Description	Std Pk	Connector
S25-AA00-1	Retro Reflector Side Marker, Amber w/Reflector		11" Sheathed Pigtail
S25-AA0MN-1	Retro Reflector Side Marker, Amber w/Reflector and .156 bullets		0.156" Bullets
S25-RR00-1	Retro Reflector Side Marker, Red w/Reflector		11" Sheathed Pigtail
S25-RR0MN-1	Retro Reflector Side Marker, Red w/Reflector and .156 bullets		0.156" Bullets

