

TecNiq's **T46**, High-Visibility 4" Strobe/Flashers are designed with the very latest in LED technology, resulting in some of the brightest warning lights available. Be seen in all conditions, and at a greater distances. These lights employ the same highly efficient lens design and industry best materials you have come to expect from TecNiq Inc. **See www.TecNiqInc.com for more details and a complete list of part numbers.**

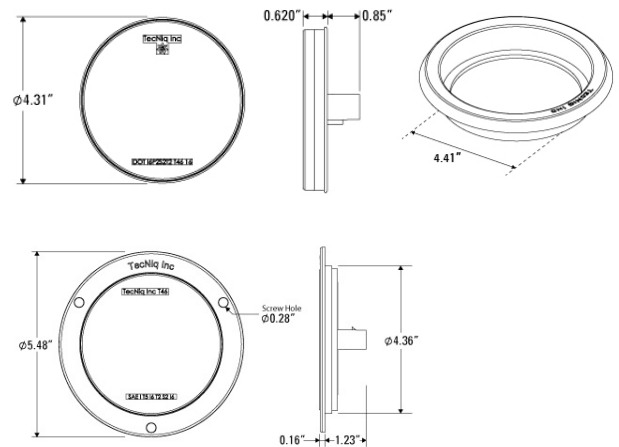


Technical features

- ✦ Fits all industry standard 4" round applications
- ✦ **Class 1 & Class 2** certified
- ✦ TecSeal Urethane Potting guarantees circuit board protection
- ✦ Offered in our grommet or flange mount styles
- ✦ Lifetime Warranty

Specifications

Dimensions:	Grommet Mount - 4.31" x 2.45" (see diagram) Surface Mount - 5.48" x 1.39"
LEDs:	8
Voltage:	9 - 14V DC
Current:	0.223A - 0.277A (0.075 average) Amber 0.250A - 0.350A White
Connector:	Amp, Tri-Pole, and 9" Pigtail
Mounting:	Fits standard 4" mounting holes
LED colors:	Amber & White



California Proposition 65

WARNING: This product can expose you to chemicals including lead, which is known to the State of California to cause cancer, birth defects or other reproductive harm

Part Numbers	Description	Std Pack	Connector Type
T40-OS00-1	4" Round Flange Mount Trim Ring SS	100	-
T40-OG00-1	4" Round Grommet	100	-
T46-AAZ0P-1	Hi Vis 4" Round Strobe Amber Amber Lens Grommet Pigtail	100	Pigtail
T46-AAZ0T-1	Hi Vis 4" Round Strobe Amber Amber Lens Grommet Tri-P	100	Tri-Pole
T46-AAZFA-1	Hi Vis 4" Round Strobe Amber Amber Lens Flange Amp	100	Amp

