

The TecNiq T62 lamps are offered in horizontal and vertical mounting styles for DOT compliance. It is available with either amber or red LEDs, plus we offer clear lens options and a variety of connector styles on request. These lights employ the same world leading lens design and high quality construction used throughout our product line to create a top quality, cost-effective lighting solution.



See www.TecNiqInc.com for more details and a complete list of part numbers.

T62

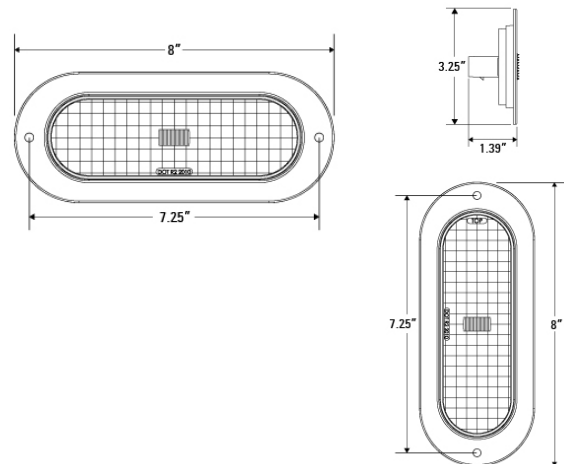
**6" OVAL STT
FLANGE MOUNT**

Technical features

- ✦ Flange mount 6" oval - fits all industry standard applications
- ✦ Durable impact resistant lens
- ✦ Reliable performance over 100,000 hours
- ✦ IP68 rating while exceeding FMVSS 108 standards
- ✦ Can be purchased for horizontal or vertical position mounting - separate part numbers

Specifications

Dimensions:	Flange Mount - 8.00"x 3.25"x 1.51"
LEDs:	6
Voltage:	9 - 14V DC
Current:	0.17A-0.23A Colored lens 0.10A-0.14A Red/Clear 0.28A-0.36A Amber/Clear 0.31A-0.39A White
Connector:	Amp Connector
Mounting:	Fits standard mounting holes
LED colors:	Red, Amber and White



California Proposition 65

WARNING: This product can expose you to chemicals including lead, which is known to the State of California to cause cancer, birth defects or other reproductive harm

Part Numbers	Description	Std	Connector
T62-AAHA-1	Amber Flange Mount Horizontal Oval Amber Lens Amp Connector	120	Amp
T62-RCVA-1	Red Flange Mount Vertical Oval Tail Clear Lens Amp Connector	120	Amp
T62-RRVA-1	Red Flange Mount Vertical Oval Tail Red Lens Amp Connector	120	Amp

