

The **TecNiq T68** High Visibility Strobe is a Class 1 and Class 2 certified light, with durable impact resistant lensing. The T68 is used throughout the work truck industry, waste management industry and others, where bright, efficient lighting is preferred. This light has a smooth finish and the ability to mount at any angle - putting this light at the top of the many manufacturers short list.

See www.TecNiqInc.com for more details and a complete list of part numbers.

T68



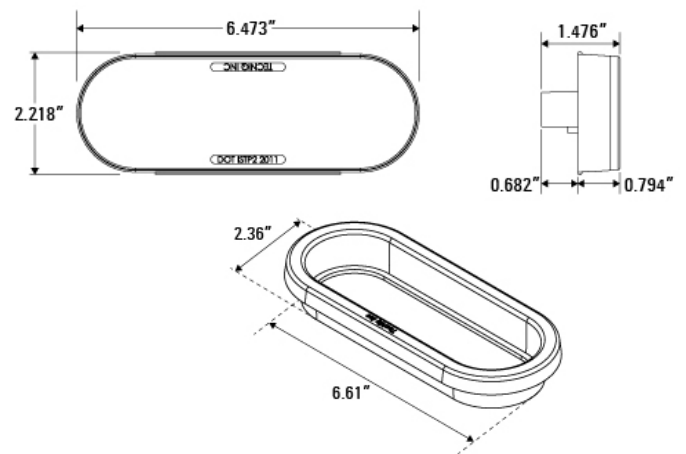
6" HIGH VISIBILITY STROBE/FLASHER

Technical features

- ✦ **Class 1 & Class 2** certified
- ✦ Grommet Mount
- ✦ Fits all industry standard 6" oval applications
- ✦ IP68 rating while exceeding FMVSS 108 standards
- ✦ Excellent UV Resistance - Automotive exterior lighting grade polycarbonate

Specifications

Dimensions:	Grommet Mount - 6.45"x 2.22"x 1.48"
LEDs:	8
Voltage:	9 - 14V DC
Current:	0.125A-0.155A Amber flasher
Connector:	Amp Connector Tri-Pole Connector 9" pigtail
Mounting:	Fits standard mounting holes
LED colors:	Amber



California Proposition 65

WARNING: This product can expose you to chemicals including lead, which is known to the State of California to cause cancer, birth defects or other reproductive harm

Part Numbers	Description	Std	Connector
T68-0G00-1	6" Oval Grommet	-	-
T68-AAZ0A-1	6" Oval High Visibility Strobe Grommet Mount Amp	120	Amp
T68-AAZ0P-1	6" Oval High Visibility Strobe Grommet Mount Pigtail	140	Pigtail
T68-AAZ0T-1	6" Oval High Visibility Strobe Grommet Mount Tri-Pole	120	Tri-Pole

