

8 7 6 5 4 3 2 1

D

D

C

C

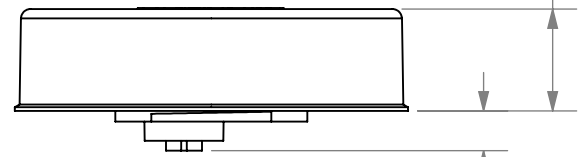
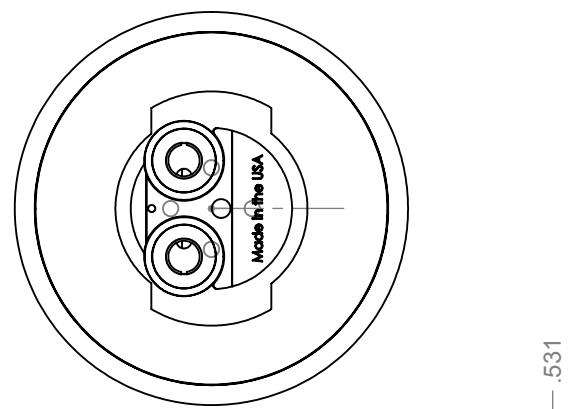
B

B

A

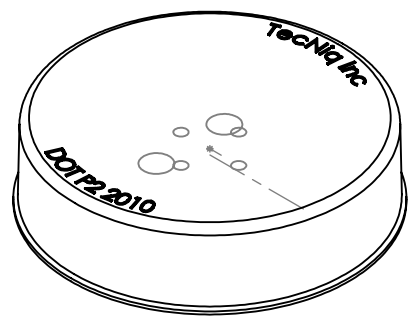
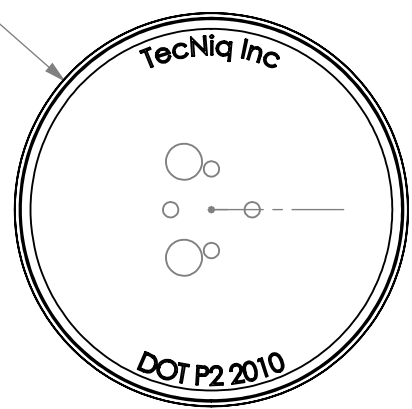
A

Ø 2.047



.531

.207



2" ROUND SIDEMARKER  
SINGLE SYLVANIA OSRAM LED  
WATERPROOF DESIGN  
POLYCARBONATE LENS  
STANDARD GROMMET  
LENS IS FLUSH MOUNT WITH SURFACE  
0.06 AMPS

8 7 6 5 4 3 2 1



S30-RR00-1  
S30-AA00-1  
SINGLE LED SIDEMARKERS

SIZE A	DWG. NO.	REV. A
SCALE 1	CAD FILE:	SHEET 1 OF 1