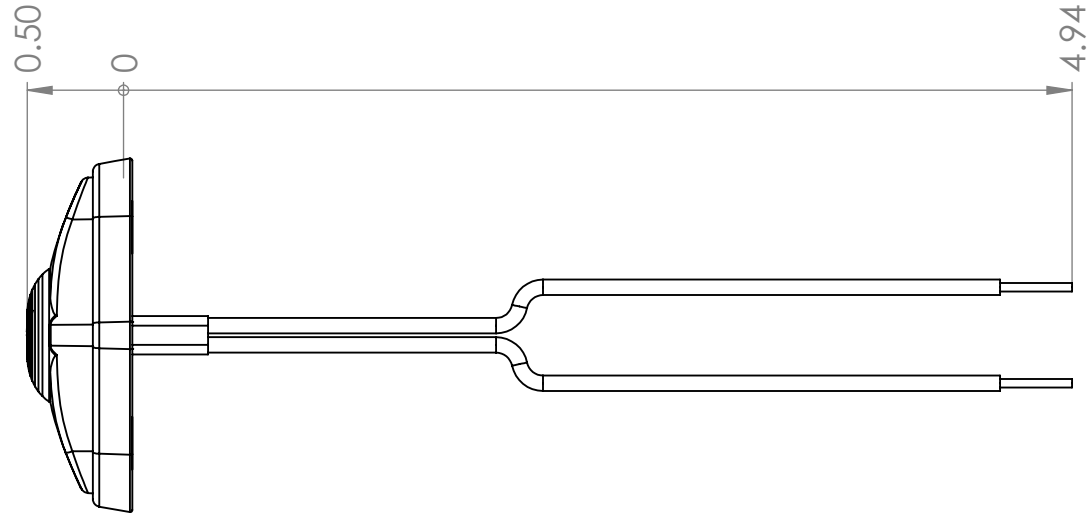
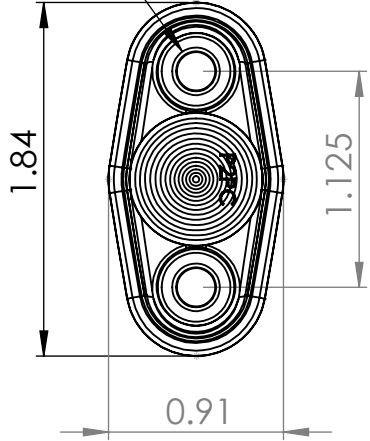


#10 PAN HEAD



**S38 PC RATED
SIDEMARKER**

SIZE	DWG. NO.	REV. A
SCALE 1/2	CAD FILE:	SHEET 1 OF 1