

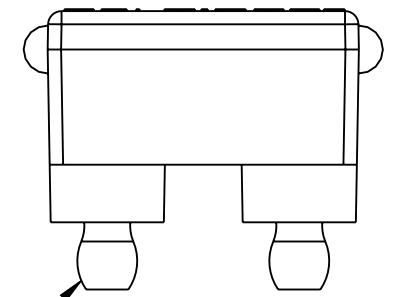
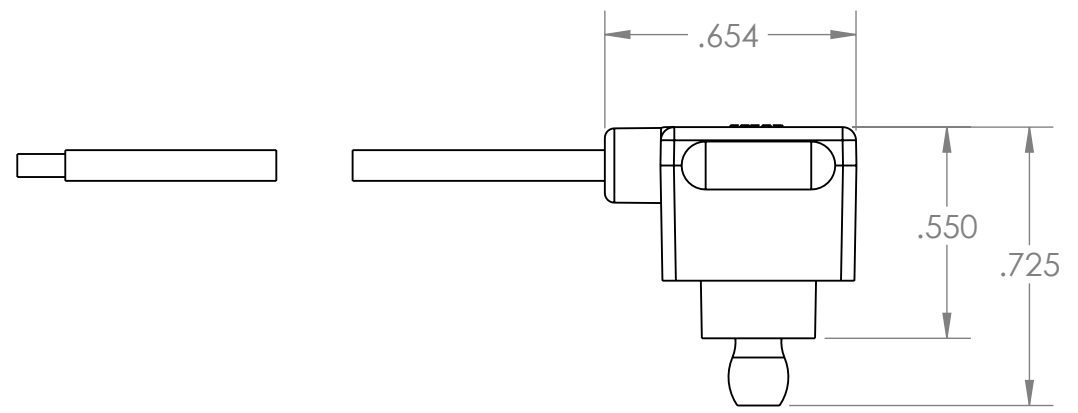
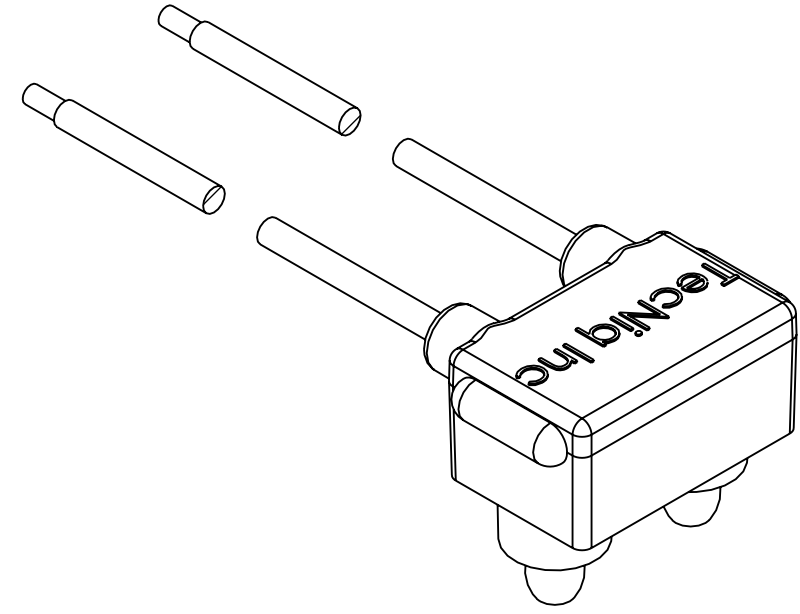
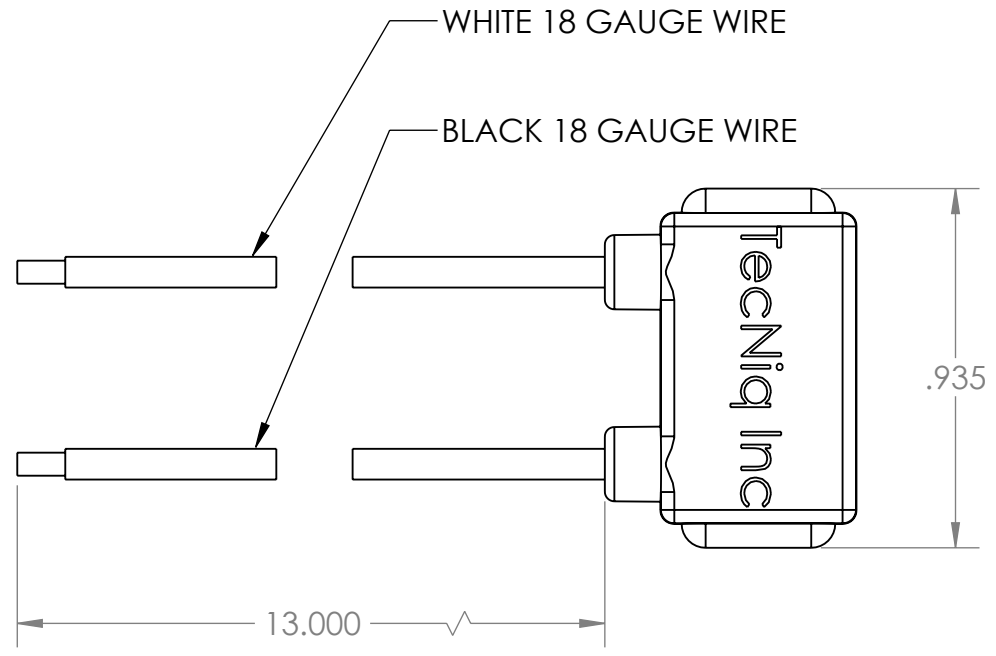
8 7 6 5 4 3 2 1

D

C

B

A



0.156 STANDARD MALE BULLETS

UNLESS OTHERWISE SPECIFIED
DIMENSIONS ARE IN INCHES
TOLERANCES ARE:
DECIMALS ANGLES
.X ±0.020 X° ±1.0°
.XX ±0.010 X.X° ±0.5°
.XXX ±0.003 X.XX° ±0.1°

CAD GENERATED DRAWING BY:
DRAGONFISH TECHNOLOGIES LLC

	INITIAL	DATE
DRAWN	TA	5/7/2024
CHECKED		
ENG APPR.		
MFG APPR.		
Q.A.		



TITLE:
**S99-0018-1 12IN LEAD-
NO GND LUG**

SIZE	DWG. NO.	REV.
B		
SCALE:	SHEET 1 OF 1	
2:1		

CONFIDENTIAL
THE INFORMATION CONTAINED IN THIS DRAWING IS THE SOLE PROPERTY OF
Dragonfish Technologies LLC. ANY REPRODUCTION IN PART OR AS A WHOLE
WITHOUT THE WRITTEN PERMISSION OF Dragonfish Technologies LLC IS PROHIBITED.

DO NOT SCALE DRAWING

8 7 6 5 4 3 2 1