


CONFIDENTIAL

THE INFORMATION CONTAINED IN THIS DRAWING IS THE SOLE PROPERTY OF Dragonfish Technologies LLC. ANY REPRODUCTION IN PART OR WHOLE WITHOUT THE WRITTEN PERMISSION OF Dragonfish Technologies LLC IS PROHIBITED.

ITEM NO.	PART OR IDENTIFYING NO.	NOMENCLATURE OR DESCRIPTION	MATERIAL SPECIFICATION	QTY REQD
PARTS LIST				
UNLESS OTHERWISE SPECIFIED DIMENSIONS ARE IN INCHES TOLERANCES ARE:		CAD GENERATED DRAWING BY:		 D30 LOAD LAMP
DECIMALS ANGLES		DRAGONFISH TECHNOLOGIES LLC		
		APPROVALS	DATE	
		DRAWN TC	8/17/2017	
MATERIAL		CHECKED		
FINISH		RESP ENG		
DO NOT SCALE DRAWING		MFG ENG		
		QUAL ENG		
		SIZE A	DWG. NO.	REV. A
		SCALE 1	CAD FILE:	SHEET 1 OF 1

8 7 6 5 4 3 2 1

D

D

C

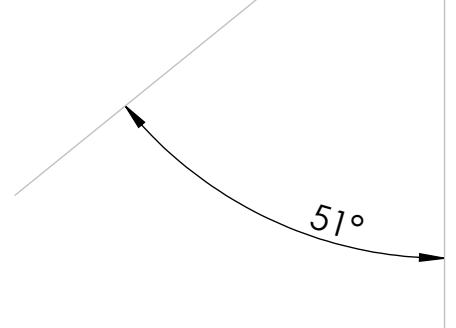
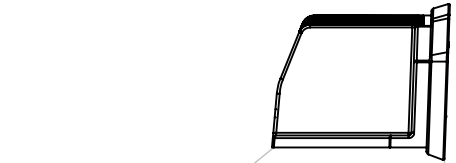
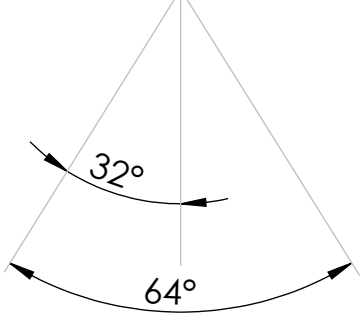
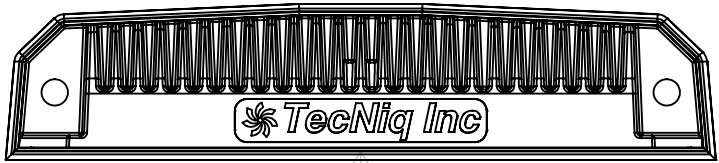
C

B

B

A

A



CONFIDENTIAL

THE INFORMATION CONTAINED IN THIS DRAWING IS THE SOLE PROPERTY OF Dragonfish Technologies LLC. ANY REPRODUCTION IN PART OR WHOLE WITHOUT THE WRITTEN PERMISSION OF Dragonfish Technologies LLC IS PROHIBITED.

ITEM NO.	PART OR IDENTIFYING NO.	NOMENCLATURE OR DESCRIPTION	MATERIAL SPECIFICATION	QTY REQD
PARTS LIST				
UNLESS OTHERWISE SPECIFIED DIMENSIONS ARE IN INCHES TOLERANCES ARE:		CAD GENERATED DRAWING BY: DRAGONFISH TECHNOLOGIES LLC		
DECIMALS .X ±0.020 .XX ±0.010 .XXX ±0.003		APPROVALS DRAWN TC CHECKED		DATE 9/13/2017
ANGLES X° ±1.0° X.X° ±0.5° X.XX° ±0.1°		DATE		
MATERIAL		RESP ENG		
FINISH --		MFG ENG		
DO NOT SCALE DRAWING		QUAL ENG		SIZE A DWG. NO. D30
		SCALE 1 CAD FILE:		REV. A
				SHEET 1 OF 1



8 7 6 5 4 3 2 1