
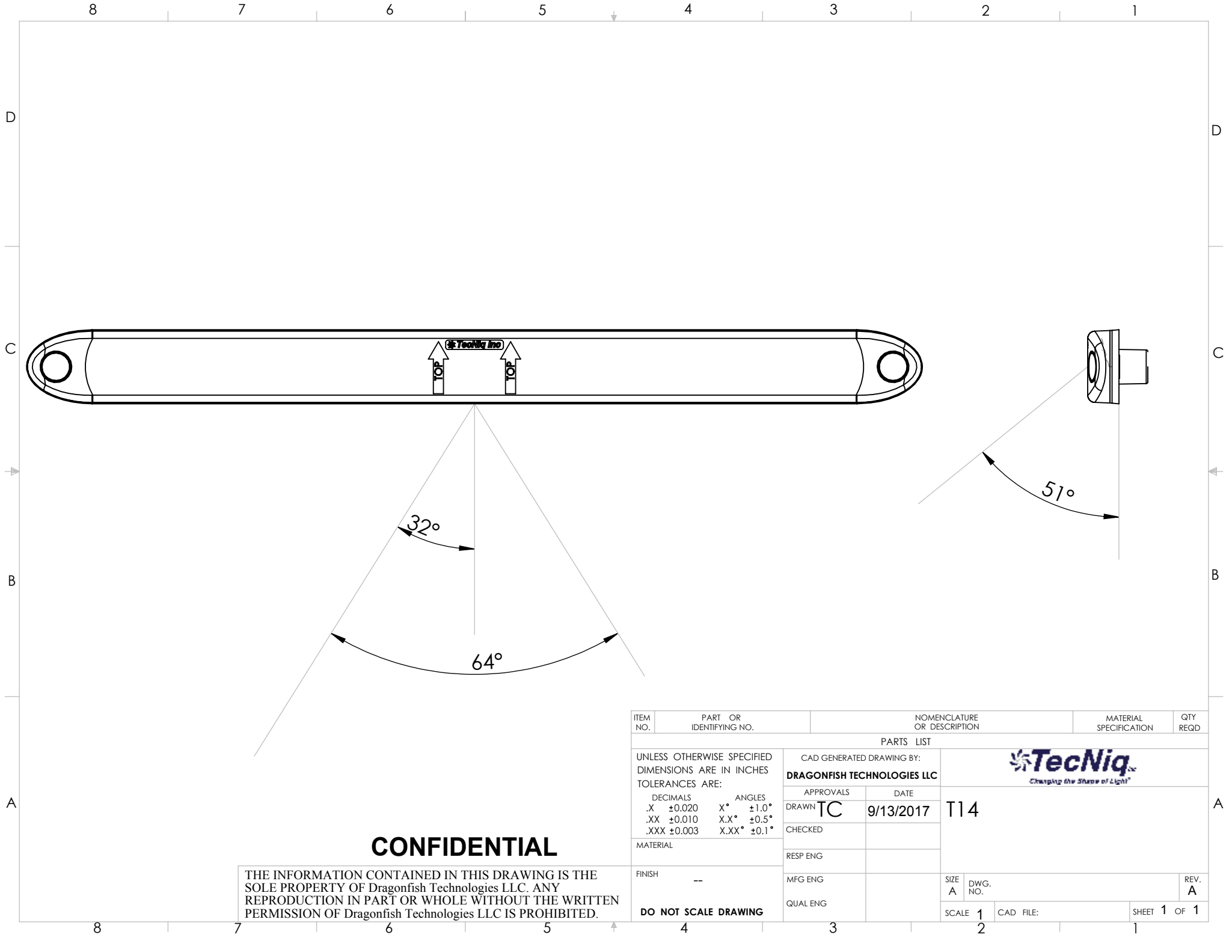


CONFIDENTIAL

THE INFORMATION CONTAINED IN THIS DRAWING IS THE SOLE PROPERTY OF Dragonfish Technologies LLC. ANY REPRODUCTION IN PART OR WHOLE WITHOUT THE WRITTEN PERMISSION OF Dragonfish Technologies LLC IS PROHIBITED.

ITEM NO.	PART OR IDENTIFYING NO.	NOMENCLATURE OR DESCRIPTION	MATERIAL SPECIFICATION	QTY REQD
PARTS LIST				
UNLESS OTHERWISE SPECIFIED DIMENSIONS ARE IN INCHES TOLERANCES ARE:		CAD GENERATED DRAWING BY: DRAGONFISH TECHNOLOGIES LLC		
DECIMALS .X ±0.020				
ANGLES X° ±1.0°				
		T14		
				REV. A
DO NOT SCALE DRAWING				SHEET 1 OF 1



TecNiq Inc



51°

32°

64°

CONFIDENTIAL

THE INFORMATION CONTAINED IN THIS DRAWING IS THE SOLE PROPERTY OF Dragonfish Technologies LLC. ANY REPRODUCTION IN PART OR WHOLE WITHOUT THE WRITTEN PERMISSION OF Dragonfish Technologies LLC IS PROHIBITED.

ITEM NO.	PART OR IDENTIFYING NO.	NOMENCLATURE OR DESCRIPTION	MATERIAL SPECIFICATION	QTY REQD
PARTS LIST				
UNLESS OTHERWISE SPECIFIED DIMENSIONS ARE IN INCHES		CAD GENERATED DRAWING BY: DRAGONFISH TECHNOLOGIES LLC		
TOLERANCES ARE:				
DECIMALS	ANGLES	APPROVALS	DATE	T14
.X ±0.020	X° ±1.0°	DRAWN TC	9/13/2017	
.XX ±0.010	X.X° ±0.5°	CHECKED		
.XXX ±0.003	X.XX° ±0.1°	RESP ENG		
MATERIAL		MFG ENG		SIZE A
FINISH --		QUAL ENG		DWG. NO.
DO NOT SCALE DRAWING		SCALE 1	CAD FILE:	REV. A
			SHEET 1 OF 1	