

8 7 6 5 4 3 2 1

D D

C C

B B

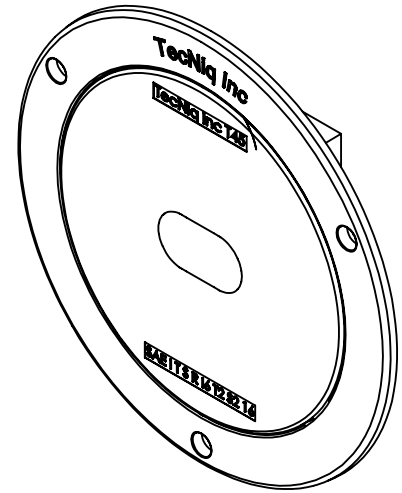
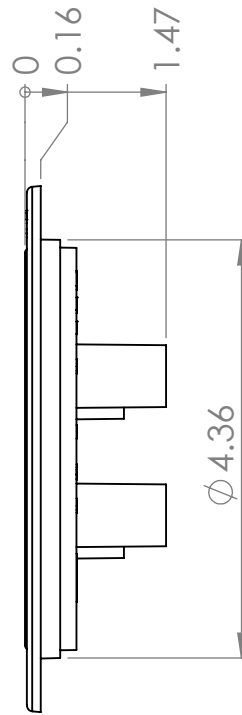
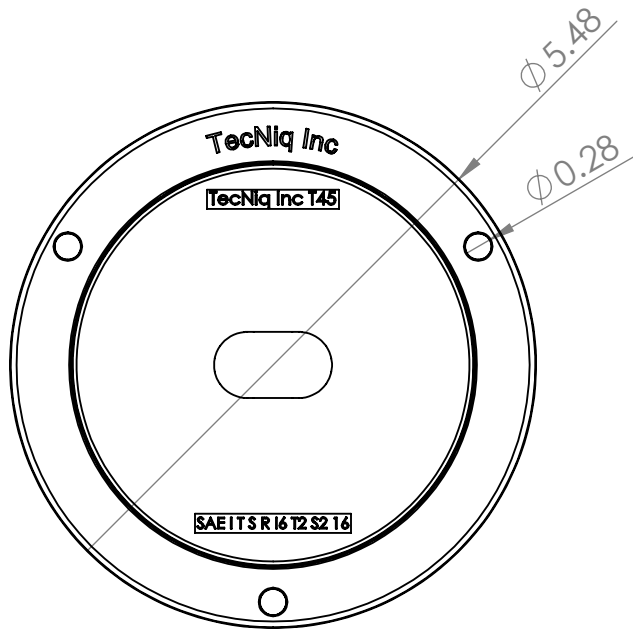
A A

8 7 6 5 4 3 2 1

UNLESS OTHERWISE SPECIFIED  
 DIMENSIONS ARE IN INCHES  
 TOLERANCES ARE:  
 DECIMALS ANGLES  
 .X ±0.020 X° ±1.0°

DATE  
 12/5/2016





UNLESS OTHERWISE SPECIFIED DIMENSIONS ARE IN INCHES TOLERANCES ARE:		 <b>TecNiq</b> <i>Changing the Shape of Light</i>
DECIMALS .X ±0.020	ANGLES X° ±1.0°	
		T45